

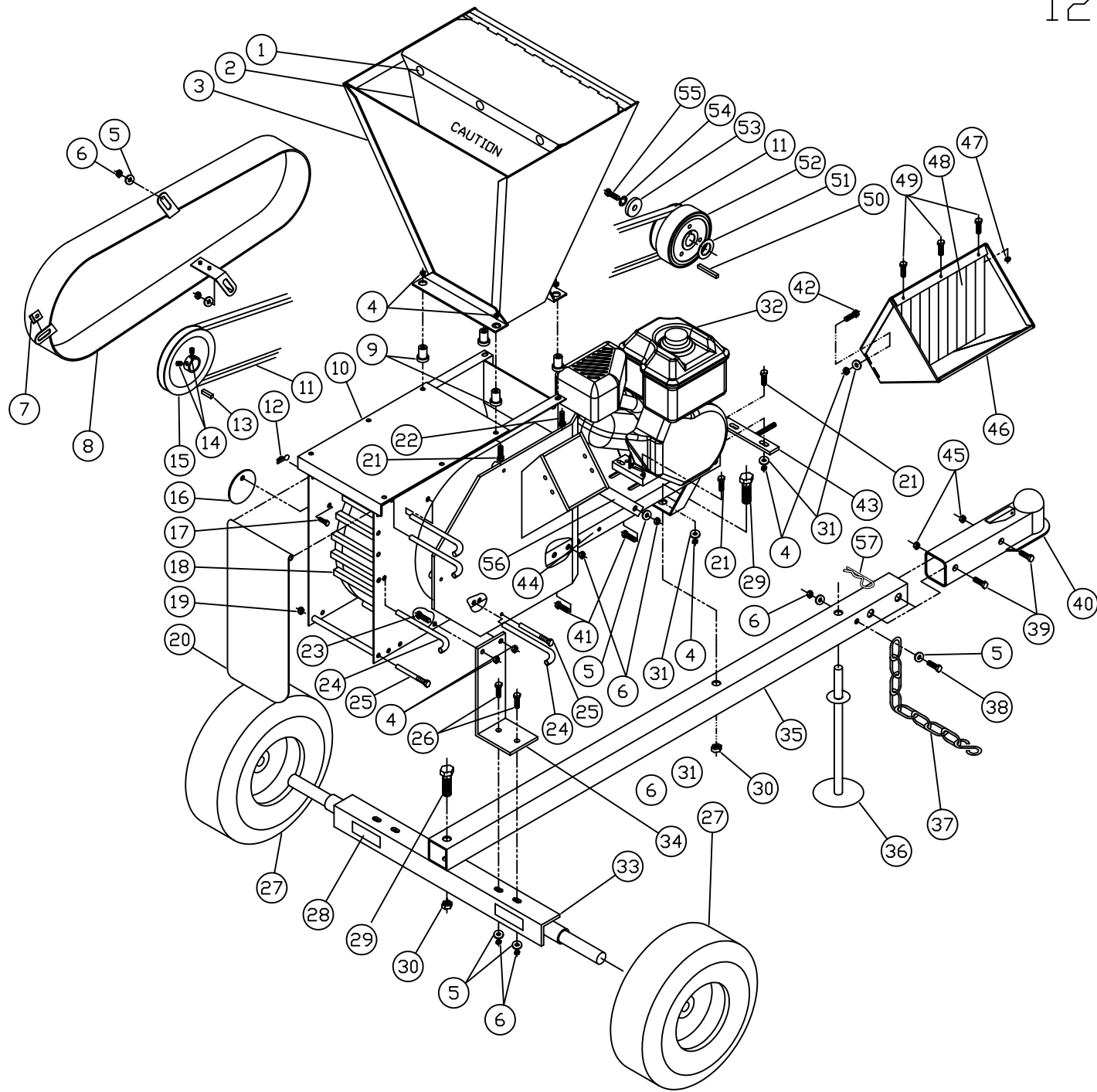
## SECTION VI - PARTS

### 12PHT PARTS LIST

ITEM #	PART #	QTY	DESCRIPTION
1	800-0026	3	PUSH BUTTON
2	900-0073	1	FLEX GUARD
3	900-0248	1	SHREDDER HOPPER
4	090-0460	17	5/16-18 NYLOCK NUT
5	090-0234	10	3/8 USS FLATWASHER
6	090-0461	14	3/8-16 NYLOCK NUT
7	090-0438	1	5/16-18 J-NUT
8	900-0102	1	BELT GUARD ASSEMBLY – <b>B &amp; S</b>
8	900-0235	1	BELT GUARD ASSEMBLY – <b>HONDA</b>
9	500-0068	4	VIBRATIONER DAMPENERS
10	900-0147	1	BASIC MACHINE
11	030-0248	1	5H560 BELT
12	100-0015	4	COTTER PIN
13	500-0031	1	1/4 X 1/4 X 1" KEY
14	080-0053	2	5/16-18 X 5/16" SET SCREWS
15	030-0229	1	PULLEY
16	900-0040	1	COVER PLATE
17	090-0066	1	5/16-18 X 3/4" HHCS
18	900-0133	1	WELDED BAR SCREEN
19	090-0048	17	5/16-18 GRIPCO LOCKNUT
20	900-0010	1	BAFFLE PLATE
21	090-0090	6	5/16-18 X 1 1/2" HHCS
22	090-0089	9	5/16-18 X 1 1/4" HHCS
23	090-0088	4	5/16-18 X 1" HHCS
24	500-0015	4	SCREEN & BAFFLE ROD
25	500-0064	2	5/16-18 X 9 1/2" HHCS
26	090-0121	4	3/8-16 X 1 1/4" HHCS
27	702-0040	2	WHEEL & TIRE
28	030-0375	2	REFLECTORS
29	090-0201	2	5/8-11 X 3 1/2" HHCS
30	090-0694	2	5/8-11 NYLOCK NUT
31	090-0233	9	5/16 USS FLATWASHER
32	030-0249	1	8 HP HONDA ENGINE - <b>12PHT-8HMC</b>
32	030-0448	1	B&S IC ENGINE - <b>12PHT-1350ICMC</b>
33	900-0250	1	AXLE WELDMENT
34	900-0249	2	AXLE BRACKET
35	900-0252	1	TOW BEAM
36	108-0076	1	STAND WELDMENT
37	408-0078	2	SAFETY CHAINS
38	090-0123	1	3/8-16 X 3 1/2" HHCS
39	090-0370	2	1/2-13 X 3" HHCS

40	913-0218	1	TRAILER HITCH
41	090-0110	6	3/8-16 X 1" HHCS
42	090-0462	4	5/16-18 X 3/4" CARRIAGE BOLT
43	500-0057	1	BELT TENSIONER
44	908-0039	1	ENGINE BASE WELDMENT
45	090-0050	2	1/2-13 GRIPCO LOCKNUT
46	913-0379	1	CHIPPER HOPPER KIT
47	090-0643	3	10-24 U-CLIP
48	913-0377	1	HOPPER BLOWBACK SHIELD
49	090-0504	3	10-24 X 1/2" HHCS
50	703-0424	1	1/4 X 1/4 X 2" KEY
51	090-0024-4	1	SHIM
52	030-0164	1	CLUTCH
53	704-0106	1	WASHER
54	090-0228	1	3/8 LOCKWASHER
55	090-0021	1	3/8-24 X 1 1/4" HHCS
56	908-0072	2	ENGINE BASE BRACE
57	500-0039	1	3/16 HAIR COTTER PIN

12PHT



12PHT

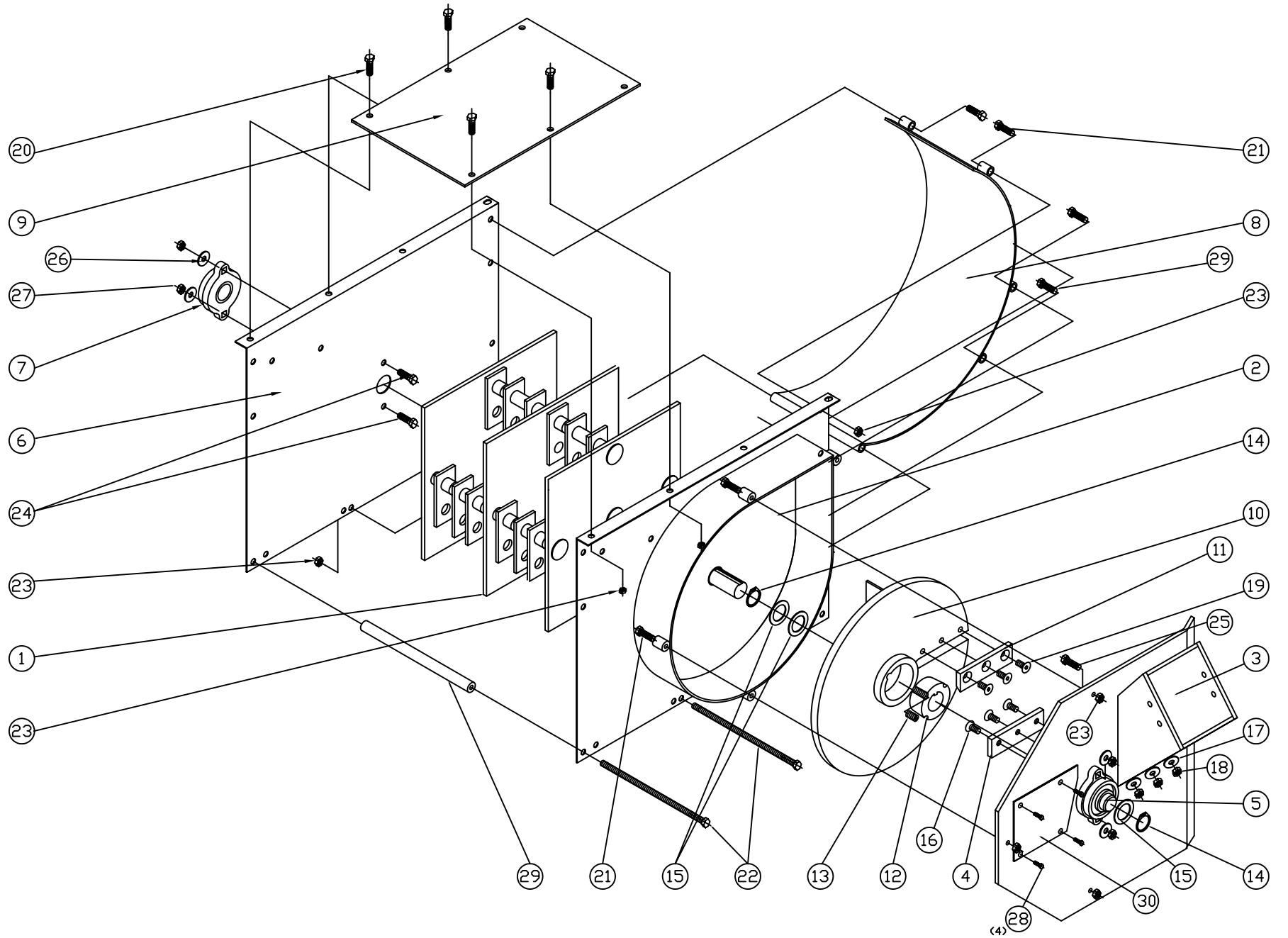
## 900-0147 – 12P BASIC MACHINE PARTS LIST

ITEM #	PART #	QTY	DESCRIPTION
1	090-0066	4	5/16-18 X 3/4" HHCS
2	900-0045	1	TOP PLATE
3	090-0240	4	3/8" SAE FLATWASHER
4	090-0049	4	3/8-16 GRIPCO LOCKNUT
5	030-0134	1	1 3/16" DRIVE SIDE BEARING
6	900-0096	1	DRIVE SIDE PLATE
7	090-0110	2	3/8-16 X 1" HHCS
8	090-0048	17	5/16-18 GRIPCO LOCKNUT
9	900-0148	1	ROTOR ASSEMBLY
10	500-0020	1	SPACER
11	090-0089	9	5/16-18 X 1 1/4" HHCS
12	090-0023	3	SHIM
13	500-0064	2	5/16-18 X 9 1/2" HHCS
14	020-0001	2	3/8-16 X 5/8" SET SCREW
15	030-0118	1	TAPERLOCK BUSHING
16	090-0677	3	1/4-20 X 1" CARRIAGE BOLTS
17	913-0325	1	WEAR PLATE
18	090-0162	4	10-32 X 3/8" SELF TAPPING SCREW
19	030-0117	1	RETAINING RING
20	030-0279	1	1 3/16" CHIPPER SIDE BEARING
21	090-0470	3	1/4-20 NYLOCK NUT
22	090-0245	3	1/4" SAE FLATWASHER
23	900-0336	1	CHIPPER PLATE & CHUTE WELDMENT
24	090-0121	2	3/8-16 X 1 1/4" HHCS
25	090-0258	3	5/16-18 X 3/4" FHSCS
26	913-0259	1	KNIFE KIT – INCLUDES HARDWARE AND LOCTITE
27	900-0243	1	CHIPPER DISK – COMPLETE WITH KNIFE
28	090-0676	1	SHR-118 RETAINING RING
29	900-0097	1	CHIPPER SIDE PLATE WELDMENT
30	900-0005	1	SCROLL WELDMENT
31	900-0071-1	1	ACCESS COVER

## 900-0148 – 12P ROTOR ASSEMBLY

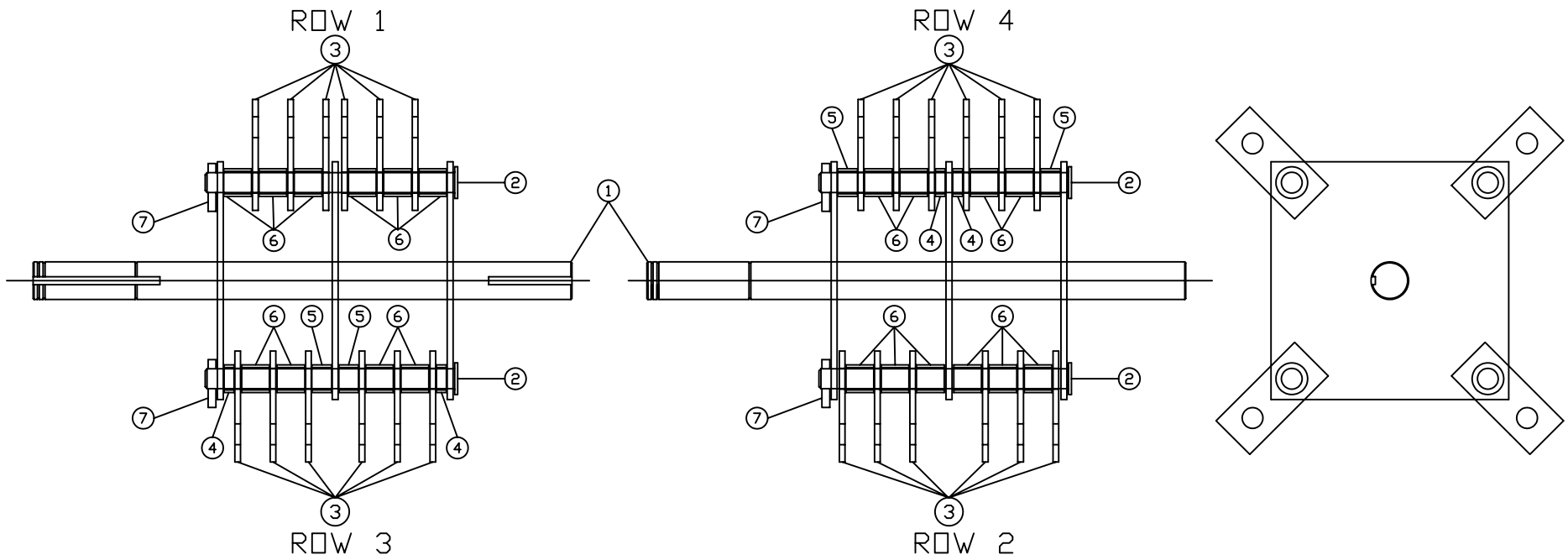
ITEM #	PART #	QTY	DESCRIPTION
1	900-0084	1	ROTOR WELDMENT
2	900-0100-3	4	HAMMER ROD
3	500-0008	24	HAMMERS
4	500-0010	4	SPACER – 5/16"
5	500-0012	4	SPACER – 5/8"
6	500-0011	20	SPACER – 7/8"
7	030-0153	4	GROOVE PIN

# 12P/PT/PTE BASIC MACHINE ASSEMBLY



12P/PT/PTE  
BASIC MACHINE ASSEMBLY

900-0148  
12P/PT/PTE  
ROTOR ASSEMBLY



12P/PT/PTE  
ROTOR ASSEMBLY