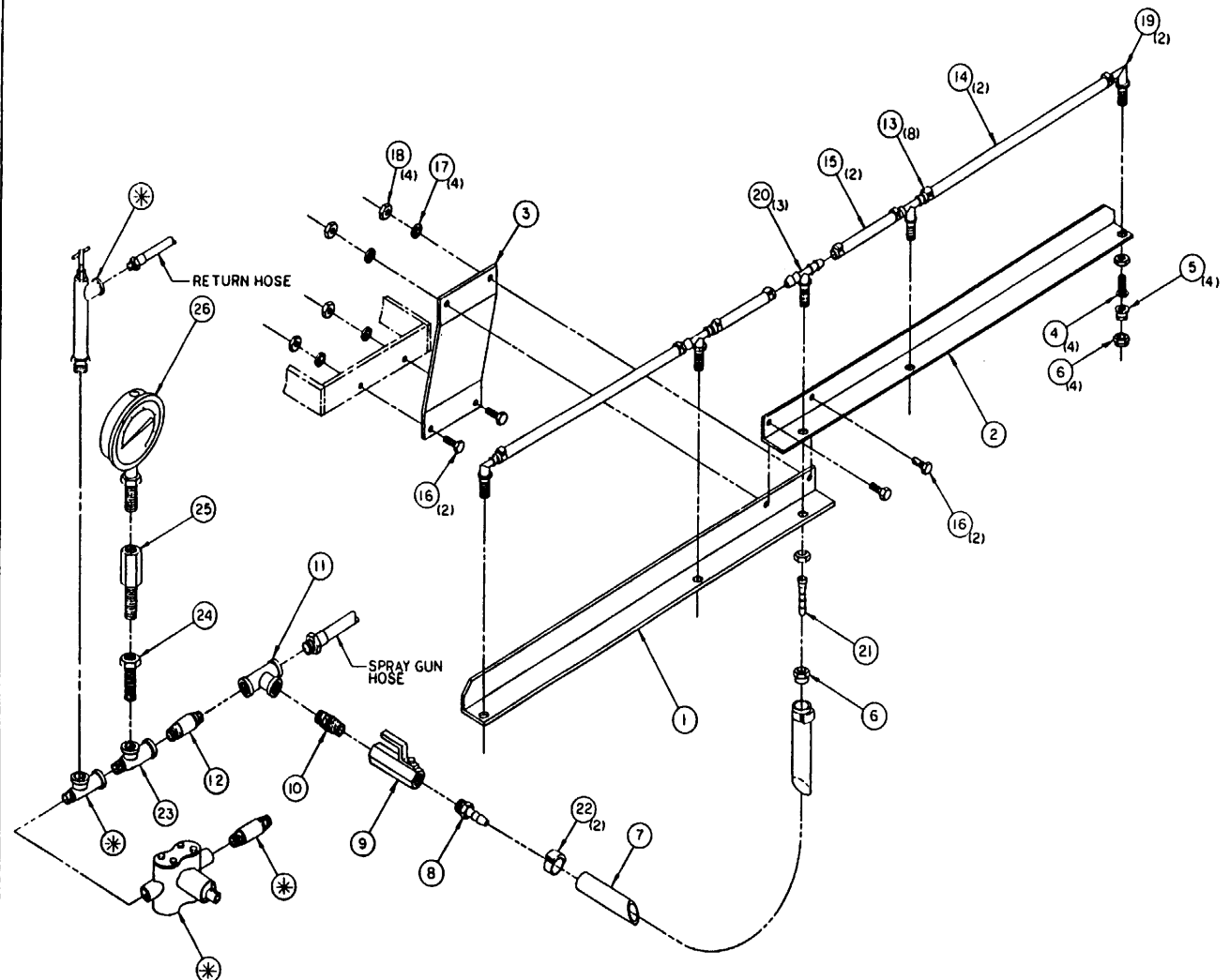


DATE	BY	REV



4NB SPRAY BOOM

* ITEMS ON EXISTING PS322 & PS322T

MACKISSIC, INC.	
PARKER FORD, PA. 19457	
PS322 & PS322T	REV. 1/4
4 NOZZLE SPRAY BOOM	
8-27-91	REV. A 100-0200

4 NOZZLE BOOM PARTS LIST (4NB)

Drawing 100-0200

<u>ITEM NO.</u>	<u>PART NO.</u>	<u>DESCRIPTION</u>	<u>QUANTITY</u>
1	100-0201-1	Boom Angle L.H.	1
2	100-0201-2	Boom Angle R.H.	1
3	100-0202	Support Bracket	1
4	100-0046	Tee Jet Strainer 100 Mesh	4
5	100-0049	Flat Spray Tip #8001	4
6	100-0206	Tee Jet Nozzle Cap	5
7	100-0203	Boom Supply Hose 3/8"	1
8	080-0303	3/8" MPT Coupling	1
9	100-0063	3/8 Ball Valve w/ wing	1
10	080-0361	3/8" x 1-1/2" Nipple Galv.	1
11	100-0210	1/2" x 1/2" x 3/8 Reducing Tee Galv	1
12	080-0364	1/2 x 2" Close Nipple Galv.	1
13	100-0140	1/2" Hose Clamp	8
14	100-0204	Boom Hose Long 1/2 X 18 3/4	2
15	100-0205	Boom Hose Short 1/2 X 8 3/4	2
16	090-0110	3/8-16 x 1" Lg HHCS Pltd.	4
17	090-0225	3/8 Internal Lockwasher Pltd.	4
18	090-0461	3/8-16 Nylock Lock Nut Pltd.	4
19	100-0207	Single Hose Connector	2
20	100-0208	Double Hose Connector	3
21	100-0209	Tee Hose Shank	1
22	100-0139	3/8" Hose Clamp	2

Optional Items

-	108-0084	Pressure Gauge Adapter Kit	1
23	100-0135	1/2" Service Tee	1
24	080-0021	1/4" x 3/8" Hex Bushing	1
25	100-0136	Damper	1
26	100-0081	Pressure Gauge	1

Four nozzle spray booms are equipped with No. 100-0049 spray tips standard. The flow rate and coverage characteristics of this and the optional tips are shown in the chart below. To achieve the coverage recommended for the chemical agent you're going to spray, you can change to an optional tip or alter the speed of your tractor.

Adjust the relief valve until the fan pattern just touches the fan pattern spray from the nozzle next to it.

Tip Part No.	Capacity in g.p.m each nozzle	GALLONS PER ACRE FOR EACH NOZZLE AT					
		2 mph	3 mph	4 mph	5 mph	7 1/2 mph	10 mph
100-0049	0.10	14.9	10.0	7.4	6.0	4.0	3.0
100-0050	0.06	9.8	6.6	4.9	4.0	2.6	2.0
100-0051	0.15	22.0	14.9	11.1	8.9	6.0	4.5
100-0052	0.20	30.0	20.0	14.8	11.8	7.9	5.9
100-0053	0.30	45.0	30.0	22.0	17.8	11.8	8.9
100-0054	0.40	59.0	40.0	30.0	24.0	15.8	11.9