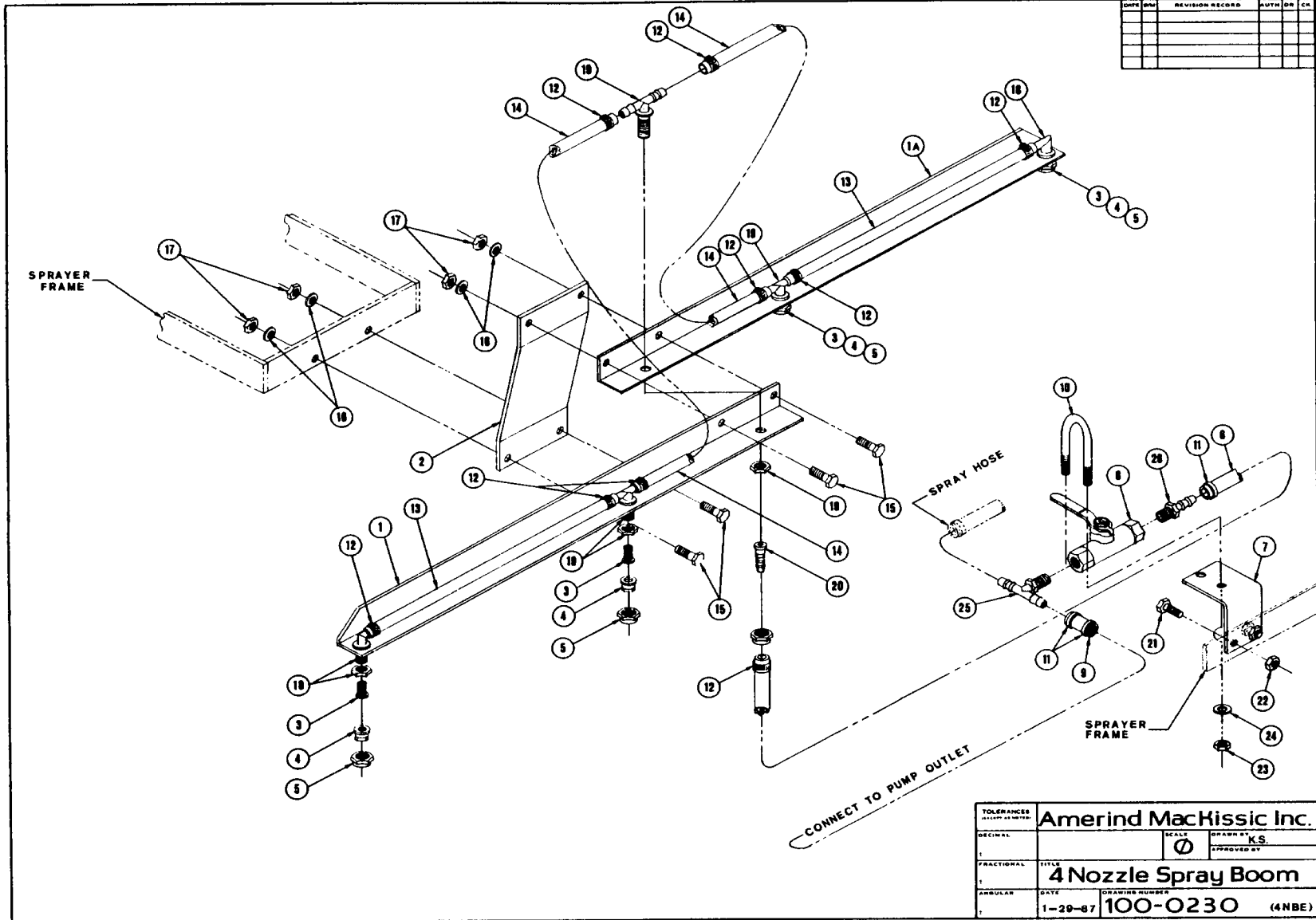


Model 4NBE



DATE	BY	REVISION RECORD	AUTH	DR	CK

TOLERANCES UNLESS OTHERWISE SPECIFIED		Amerind MacHissic Inc.	
DECIMAL	SCALE	11	DRAWN BY K.S.
FRACTIONAL	TITLE	4 Nozzle Spray Boom	
ANGULAR	DATE	1-29-67	DRAWING NUMBER 100-0230 (4NBE)
			APPROVED BY

K-E ALUMINUM & IRON BASE ENGINEERS STANDARD FORM

MADE IN U.S.A.

**PARTS LIST FOR SPRAY BOOM
MODEL 4NBE
DRAWING 100-0230**

<u>ITEM NO.</u>	<u>PART NO.</u>	<u>DESCRIPTION</u>	<u>QUANTITY</u>
1	100-0201-1	Boom Angle Left Hand	1
1A	100-0201-2	Boom Angle Right Hand	1
2	100-0202	Support Bracket	1
3	100-0046	Tee Jet Strainer 100 Mesh	4
4	100-0049	Flat Spray Tip #8001	4
5	100-0206	Tee Jet Nozzle Cap Nylon	5
6	100-0220	Boom Supply Hose 3/8" x 32"	1
7	108-0162	Valve Bracket	1
8	100-0063	3/8" Ball Valve w/ wing	1
9	100-0219	Hose Extension 3/8" x 2-1/4" Lg.	1
10	090-0404	U-Bolt 1/4" w/Nuts	1
11	100-0139	Plastic Hose Clamp 3/8"	3
12	100-0140	Plastic Hose Clamp 1/2"	8
13	100-0204	Boom Hose Long 1/2" x 18 3/4"	2
14	100-0205	Boom Hose Short 1/2" x 8 3/4"	2
15	090-0110	3/8-16 x 1" HHCS	4
16	090-0225	Internal Lock Washer 3/8"	4
17	090-0461	3/8"-16 Nylock Lock Nut	4
18	100-0207	Single Hose Connector	2
19	100-0208	Double Hose Connector	3
20	100-0209	Tee Hose Shank	1
21	090-0066	5/16-18 x 3/4" HHCS	2
22	090-0460	5/16-18 Nylock Lock Nut	2
23	090-0470	1/4"-20 Nylock Lock Nut	2
24	090-0232	Flat Washer 1/4"	2
25	100-0142	Nylon Tee 3/8"	1
26	080-0303	Male Hose Insert 3/8"	1

Four nozzle spray booms are equipped with No. 100-0049 spray tips standard. The flow rate and coverage characteristics of this and the optional tips are shown in the chart below. To achieve the coverage recommended for the chemical agent you're going to spray, you can change to an optional tip or after the speed of your tractor.

Tip Part No.	Capacity in g.p.m. each nozzle	GALLONS PER ACRE FOR EACH NOZZLE AT					
		2 mph	3 mph	4 mph	5 mph	7 1/2 mph	10 mph
100-0049	0.10	14.9	10.0	7.4	6.0	4.0	3.0
100-0050	0.06	9.8	6.6	4.9	4.0	2.6	2.0
100-0051	0.15	22.0	14.9	11.1	8.9	6.0	4.5
100-0052	0.20	30.0	20.0	14.8	11.8	7.9	5.9
100-0053	0.30	45.0	30.0	22.0	17.8	11.8	8.9
100-0054	0.40	59.0	40.0	30.0	24.0	15.8	11.9