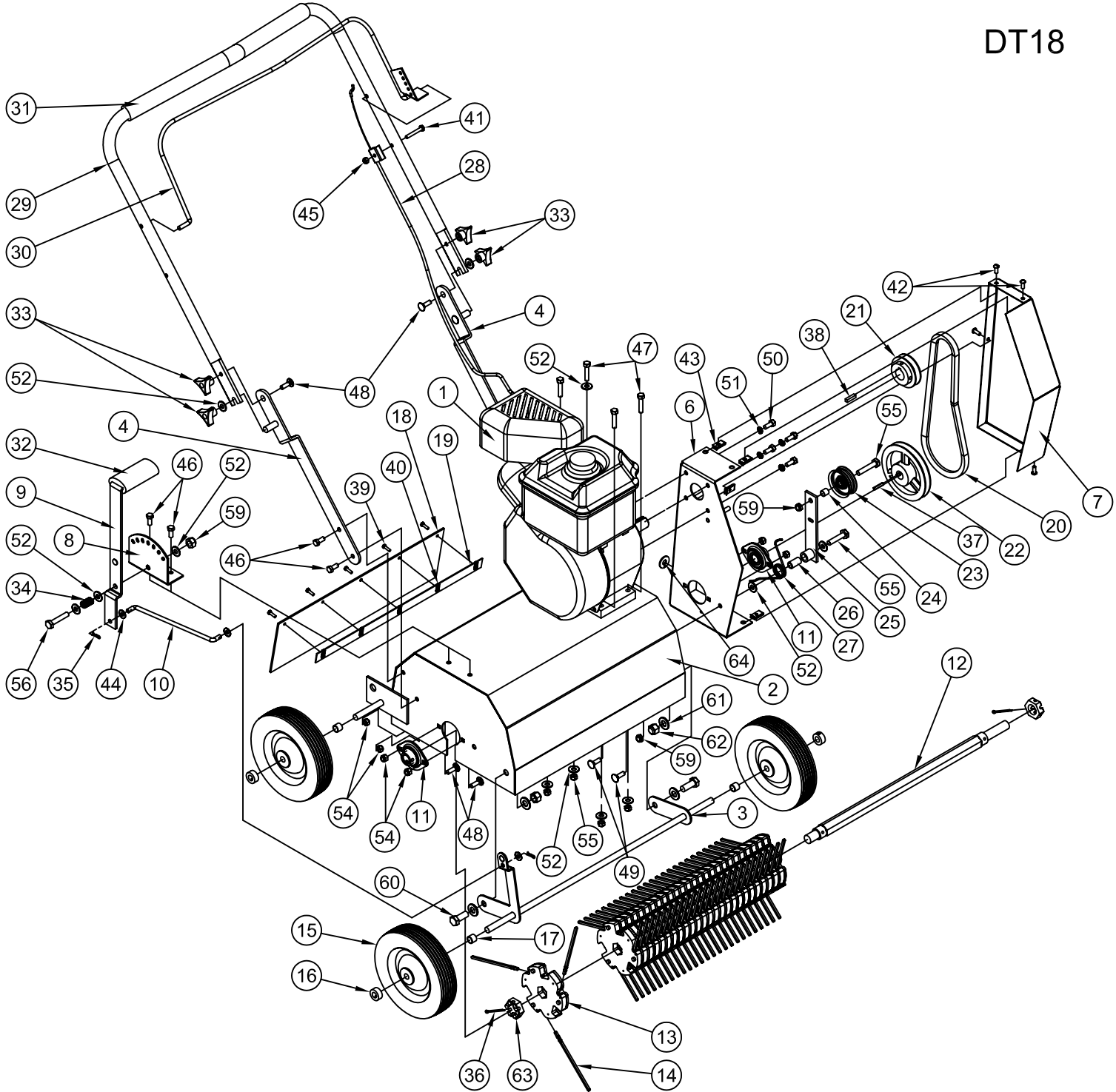


SECTION VI - PARTS

18" MODELS			
ITEM	QTY	PART #	DESCRIPTION
1	1	706-3404	5.5 HP HONDA ENGINE - DT185.5H
1	1	030-0413	B&S ENGINE DT187IC
2	1	860-0008	HOUSING WELDMENT - 18"
3	1	860-0018	HEIGHT ADJUST WELDMENT - 18"
4	2	860-0051	HANDLE MOUNT BRACKET WELDMENT
6	1	860-0020	INNER BELT GUARD WELDMENT
7	1	860-0029	OUTTER BELT GUARD
8	1	860-0025	HEIGHT ADJUST BASE
9	1	860-0026	HEIGHT ADJUST LEVER WELDMENT
10	1	860-0061	HEIGHT ADJUST LINKAGE – 18" DETHATCHER
11	2	030-0174	3/4" BEARING W/ FLANGE & SET SCREW
12	1	860-0002	18" MAIN SHAFT
13	26	860-0009-DT	TINE CARTRIDGE - DETHATCHERS
14	78	860-0010-DT	PLASTIC TINE - DETHATCHERS
15	4	030-0223	8" X 1.75" X 1/2" BORE SEMI-PNEUMATIC WHEEL
16	4	090-0688	1/2" LOCKING COLLAR
17	4	927-1775	BUSHING - 1/2" ID
18	1	860-0032	DISCHARGE FLAP - 18"
19	1	860-0033	DISCHARGE FLAP MOUNT STRIP - 18"
20	1	030-0363	4H340 BELT
21	1	030-0366	AK28 X 3/4" SHEAVE - DT185.5H
21	1	701-0312	AK28 X 1" SHEAVE - DT187IC
22	1	030-0362	AK51 X 3/4" SHEAVE
23	1	030-0191	IDLER PULLEY 2.25" X .375" BORE
24	1	900-0092	SPACER
25	1	860-0041	IDLER WELDMENT - DETHATCHER
26	1	805-0023	IDLER SPACER
27	1	030-0364	TORSION SPRING - DETHATCHERS
28	1	030-0361	IDLER CABLE - DETHATCHERS
29	1	860-0021	HANDLE
30	1	860-0031	BAIL WELDMENT - 18" DETHATCHER
31	1	705-0002	FOAM HANDLE
32	1	500-0045	GRIP - HEIGHT ADJUSTER
33	4	500-0051	3 PRONGED LOCKING KNOB W/ NYLOCK
34	1	712-0069	SPRING LC-092H-6 1-1/2"
35	2	090-0625	HAIR PIN - "WW" #225
36	2	090-0657	COTTER PIN 2 x 1/8
37	1	100-0018	SHAFT KEY 3/16" X 3/16" X 1" LG.
38	1	100-0018	SHAFT KEY 3/16" X 3/16" X 1" LG. - DT185.5H
38	1	500-0031	SHAFT KEY 1/4" X 1/4" X 1" LG. KEY - DT187IC
39	5	090-0644	10-24 X 5/8" HHCS
40	5	090-0643	10-24 U-NUT
41	1	090-0013	1/4-20 X 1-3/4" HHCS

42	4	090-0054	1/4-20 X 5/8" HHCS
43	4	090-0689	1/4-20 U-NUT
44	6	090-0232	1/4" USS FLATWASHER PLTD
45	1	090-0470	1/4-20 NYLOCK NUT
46	6	090-0066	5/16-18 X 3/4" HHCS
47	4	090-0090	5/16-18 X 1-1/2" HHCS
48	6	090-0462	5/16-18 X 3/4" CARRIAGE BOLT
50	4	090-0408	5/16-24 X 3/4" HHCS
51	4	090-0394	5/16" SPLIT LOCKWASHER
52	12	090-0233	5/16" USS FLATWASHER PLTD
54	14	090-0460	5/16-18 NYLOCK NUT
55	2	090-0114	3/8-16 X 2" HHCS
56	1	090-0104	3/8-16 X 2 1/4" HHCS
59	3	090-0461	3/8-16 NYLOCK NUT
60	2	090-0128	1/2-13 X 1-1/4" HHCS
61	4	090-0545	1/2" SAE ZP FLATWASHER
62	2	090-0629	1/2-13 NYLOCK NUT
63	2	090-0663	1-14" CASTLE NUT
64	2	090-0690	SLOTTED 5/16" FLATWASHER
65	1	860-0049	ENGINE TO HOUSING SPACER - DT185.5H ONLY

DT18



DT18

22" MODELS			
ITEM	QTY	PART #	DESCRIPTION
1	1	706-3404	5.5 HP HONDA ENGINE - DT225.5H
1	1	030-0413	B&S ENGINE DT2271C
1	1	030-0480	B&S ENGINE DT2281M
2	1	860-0007	HOUSING WELDMENT - 22"
3	1	860-0017	HEIGHT ADJUST WELDMENT - 22"
4	2	860-0051	HANDLE MOUNT BRACKET WELDMENT
6	1	860-0020	INNER BELT GUARD WELDMENT
7	1	860-0029	OUTTER BELT GUARD
8	1	860-0025	HEIGHT ADJUST BASE
9	1	860-0026	HEIGHT ADJUST LEVER WELDMENT
10	1	860-0059	HEIGHT ADJUST LINKAGE – 22" DETHATCHER
11	2	030-0379	3/4" BEARING DODGE - LFT-SC-012
12	1	860-0001	22" MAIN SHAFT
13	32	860-0009-DT	TINE CARTRIDGE - DETHATCHERS
14	96	860-0010-DT	PLASTIC TINE - DETHATCHERS
15	2	703-0108	4.10/3.50 - 4 PNUEMATIC WHEEL
16	2	030-0263	2.80/2.50 - 4" ROLLEEZ WHEEL
17	2	090-0536	5/8" SHAFT COLLAR W/ SET SCREW
18	2	090-0688	1/2" LOCKING COLLAR
19	2	927-1775	BUSHING - 1/2" ID
20	1	860-0034	DISCHARGE FLAP - 22"
21	1	860-0035	DISCHARGE FLAP MOUNT STRIP - 22"
22	1	030-0363	4H340 BELT
23	1	030-0366	AK28 X 3/4" SHEAVE - DT225.5H
23	1	701-0312	AK28 X 1" SHEAVE - DT2271C
24	1	030-0362	AK51 X 3/4" SHEAVE
25	1	030-0191	IDLER PULLEY 2.25" X .375" BORE
26	1	900-0092	SPACER
27	1	860-0041	IDLER WELDMENT - DETHATCHER
28	1	805-0023	IDLER SPACER
29	1	030-0364	TORSION SPRING - DETHATCHERS
30	1	030-0361	IDLER CABLE - DETHATCHERS
31	1	860-0036	HANDLE
32	1	860-0038	BAIL WELDMENT - 22" DETHATCHER
33	1	860-0045	FOAM HANDLE - 22" DETHATCHER
34	1	500-0045	GRIP - HEIGHT ADJUSTER
35	2	500-0051	3 PRONGED LOCKING KNOB W/ NYLOCK
36	1	712-0069	SPRING LC-092H-6 1-1/2"
37	2	090-0625	HAIR PIN - "WW" #225
38	2	090-0657	COTTER PIN 2 X 1/8
39	1	100-0018	SHAFT KEY 3/16" X 3/16" X 1" LG.
40	1	100-0018	SHAFT KEY 3/16" X 3/16" X 1" LG. - DT225.5H
40	1	500-0031	SHAFT KEY 1/4" X 1/4" X 1" LG. KEY - DT2271C
41	5	090-0644	10-24 X 5/8" HHCS
42	5	090-0643	10-24 U-NUT

43	1	090-0013	1/4-20 X 1-3/4" HHCS
44	4	090-0054	1/4-20 X 5/8" HHCS
45	4	090-0689	1/4-20 U-NUT
46	6	090-0232	1/4" USS FLATWASHER PLTD
47	1	090-0470	1/4-20 NYLOCK NUT
48	6	090-0066	5/16-18 X 3/4" HHCS
49	4	090-0090	5/16-18 X 1-1/2" HHCS
50	6	090-0551	5/16-18 X 1" CARRIAGE BOLT
51	4	090-0408	5/16-24 X 3/4" HHCS
52	4	090-0394	5/16" SPLIT LOCKWASHER
53	12	090-0233	5/16" USS FLATWASHER PLTD
54	4	090-0639	5/16-18 THIN NYLOCK
55	12	090-0460	5/16-18 NYLOCK NUT
56	1	090-0104	3/8-16 X 2 1/4" HHCS
57	2	090-0114	3/8-16 X 2" HHCS
60	3	090-0461	3/8-16 NYLOCK NUT
61	2	090-0128	1/2-13 X 1-1/4" HHCS
62	4	090-0545	1/2" SAE ZP FLATWASHER
63	2	090-0629	1/2-13 NYLOCK NUT
64	2	090-0663	1-14 SLOTTED NUT
65	2	090-0690	SLOTTED 5/16" FLATWASHER
66	2	860-0049	ENGINE TO HOUSING SPACER - DT225.5H ONLY
67	2	090-0462	5/16-18 X 3/4" CARRIAGE BOLT

