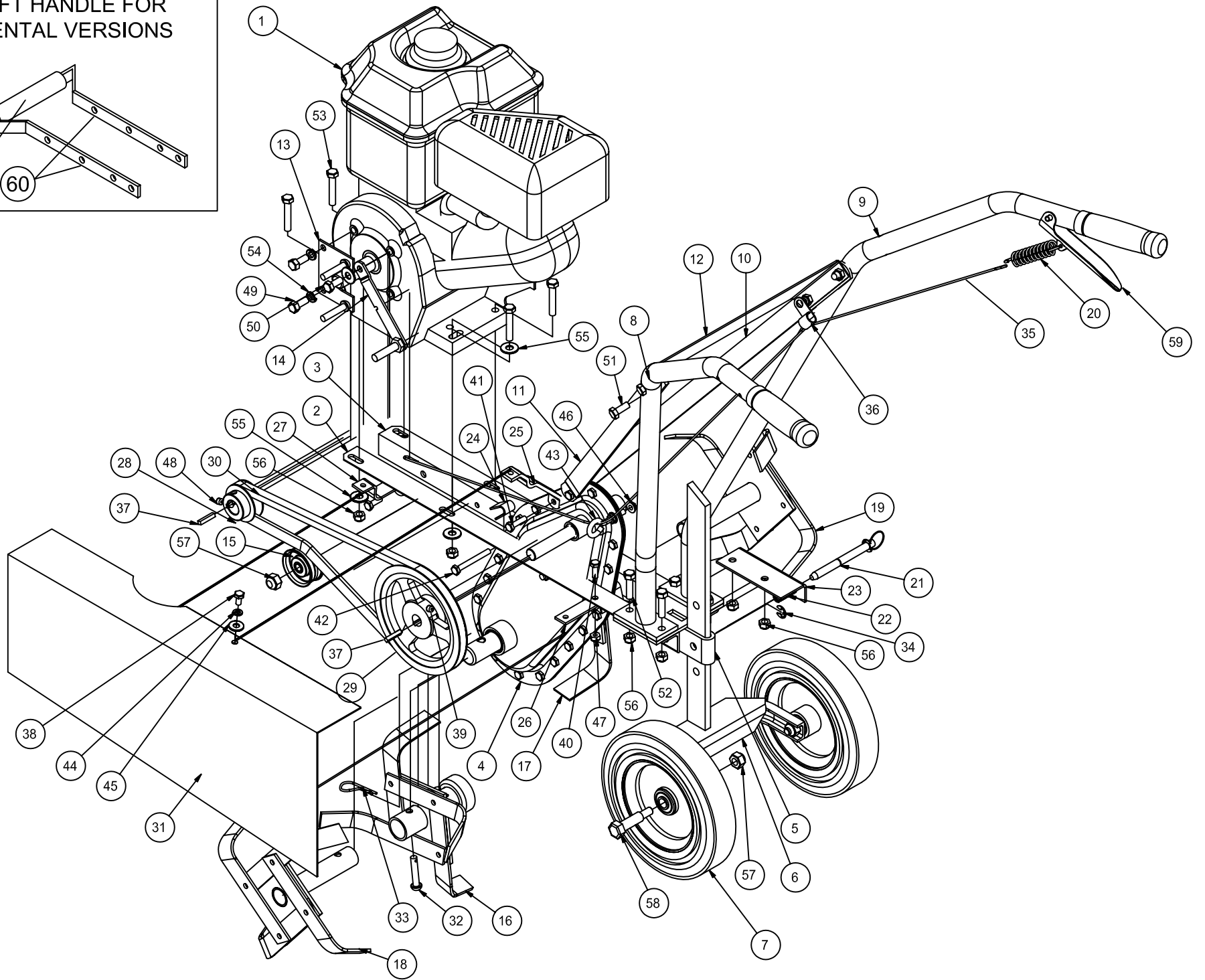
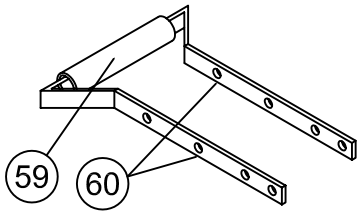


SECTION VII – PARTS LIST & ASSEMBLY DRAWINGS

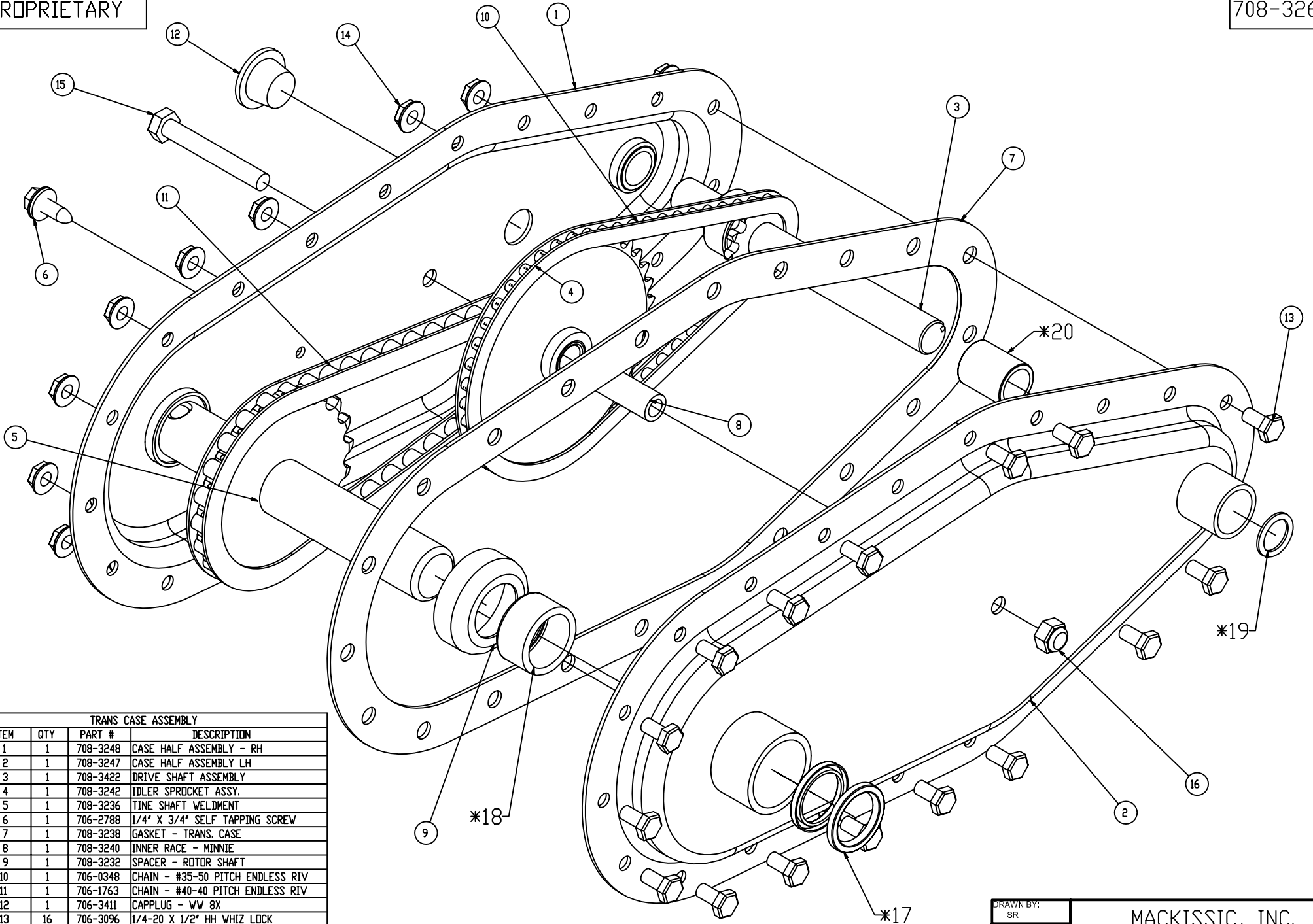
ITEM	QTY	PART .	DESCRIPTION
1	1	030-0445	4.5 HP ROBIN ENGINE – MT4R
1	1	030-0487	4 HP HONDA ENGINE – MT4H
1	1	709-2338	B&S ENGINE – MT475
2	1	708-3402	LH ENGINE MOUNT
3	1	708-3403	RH ENGINE MOUNT
4	1	708-3260	TINE TRANSMISSION
5	1	708-3361	HITCH WELDMENT
6	1	708-3413	WHEEL WELDMENT
7	2	030-0223	WHEEL 8 X 1.75"
8	1	706-2632	LH HANDLE ASSEMBLY
9	1	706-2637	RH HANDLE ASSEMBLY
10	1	708-3163	RH TIE BAR
11	1	708-3162	LH TIE BAR
12	1	706-1826-1	CROSS BRACE
13	1	708-3290	BELT RELEASE WELDMENT
14	1	708-2978	IDLER ARM WELDMENT
15	1	030-0111	IDLER PULLEY
16	1	708-3153	LH INSIDE TINE
17	1	708-3154	RH INSIDE TINE
18	1	708-3155	LH OUTSIDE TINE
19	1	708-3156	RH OUTSIDE TINE
20	1	706-0152	CLUTCH CONTROL SPRING
21	1	709-3408	SPRING PIN
22	1	709-3409	SPRING – LC-042G-10
23	1	708-3411	MINNIE SPRING PIN PLATE
24	4	708-3267	"U" SHAPED SPACER
25	1	708-3315	BRACKET – UPPER MT4H MT4R
25	1	708-3435	BRACKET – UPPER MT475
26	1	708-3308	BRACKET – LOWER REAR
27	1	708-3302	BRACKET – LOWER FRONT
28	1	706-1368	PULLEY – ENGINE – MT4H & MT4R
29	1	708-3293	6" PULLEY – 5/8" BORE
30	1	030-0001	BELT 4L-380 MT4H MT4R
30	1	030-0008	BELT 4L-390 MT475
31	1	708-3427	BELT GUARD MT4H MT4R
31	1	708-3427	BELT GUARD MT475
32	4	708-3211	CLEVIS PIN
33	4	100-0015	3/32" HAIR COTTER PIN
34	1	090-0497	E-ring
35	1	706-2250	CLUTCH CABLE ASSEMBLY
36	2	706-2243	CABLE GUIDE
37	2	500-0031	1/4" X 1/4" X 1" LG.
38	3	090-0052	1/4-20 X 1/2" HHCS
39	2	080-0077	1/4-20 X 3/8" SET SCREW W/ PATCH

40	2	090-0012	1/4-20 X 3/4" HHCS
41	2	090-0012	1/4-20 X 1" HHCS
42	2	090-0405	1/4-20 X 2-1/4" HHCS
43	1	090-0411	1/4-20 X 2-1/2" EYE BOLT
44	3	090-0378	1/4" SPLIT LOCKWASHER
45	3	090-0232	1/4" USS FLATWASHER PLTD
46	2	090-0453	1/4-20 WHIZ LOCK
47	6	090-0470	1/4-20 NYLOCK NUT
48	2	080-0053	5/16-18 X 5/16" SET SCREW W/ PATCH
50	1	090-0475	5/16-24 X 3/4" HHCS W/ NYLOCK PATCH
51	2	090-0066	5/16-18 X 3/4" HHCS
52	4	090-0089	5/16-18 X 1-1/4" HHCS
53	6	090-0091	5/16-18 X 1-3/4" HHCS
54	2	090-0394	5/16" SPLIT LOCKWASHER
55	6	090-0233	5/16" USS FLATWASHER PLTD
56	12	090-0460	5/16-18 NYLOCK NUT
57	3	090-0461	3/8-16 NYLOCK NUT
58	2	705-0056-2	1/2" DIA. HEX HEAD SHOULDER BOLT
59	1	706-3408	HANDLE TUBE
60	2	709-3405	LIFT HANDLE
NOT SHOWN	1	710-2667	THROTTLE CONTROL
NOT SHOWN	2	090-0400	10-32 X 1 1/4" RHMS (FOR THROTTLE CONTROL)
NOT SHOWN	2	706-1539	10-32 KEP NUTS (FOR THROTTLE CONTROL)

LIFT HANDLE FOR RENTAL VERSIONS



MINNIE TILLER ASSEMBLY



TRANS CASE ASSEMBLY			
ITEM	QTY	PART #	DESCRIPTION
1	1	708-3248	CASE HALF ASSEMBLY - RH
2	1	708-3247	CASE HALF ASSEMBLY LH
3	1	708-3422	DRIVE SHAFT ASSEMBLY
4	1	708-3242	IDLER SPRCKET ASSY.
5	1	708-3236	TINE SHAFT WELDMENT
6	1	706-2788	1/4" X 3/4" SELF TAPPING SCREW
7	1	708-3238	GASKET - TRANS. CASE
8	1	708-3240	INNER RACE - MINNIE
9	1	708-3232	SPACER - ROTOR SHAFT
10	1	706-0348	CHAIN - #35-50 PITCH ENDLESS RIV
11	1	706-1763	CHAIN - #40-40 PITCH ENDLESS RIV
12	1	706-3411	CAPPLUG - WW 8X
13	16	706-3096	1/4-20 X 1/2" HH WHIZ LOCK
14	16	090-0453	1/4-20 WHIZ LOCK
15	1	090-0073	5/16-18 X 2-1/4" HHCS
16	1	090-0460	5/16-18 NYLOCK NUT
*17	4	708-3241	OIL SEAL
*18	2	708-3231	TINE SHAFT BEARING
*19	1	706-0342	DRIVE SHAFT SEAL (LH CASE ONLY)
*20	2	708-3244	BRONZE BEARING

*PARTS ARE INCLUDED WITH LH & RH CASE HALF OR AVAILABLE SEPERATELY.

DRAWN BY: SR		MACKISSIC, INC.	
DATE: 2/18/2003		TITLE: TRANS CASE ASSEMBLY	
TOLERANCES ±.012 ±.01		WHERE USED:	
SIZE C	MATERIAL:	SCALE: 1:1	
DWG NO: 708-3260			