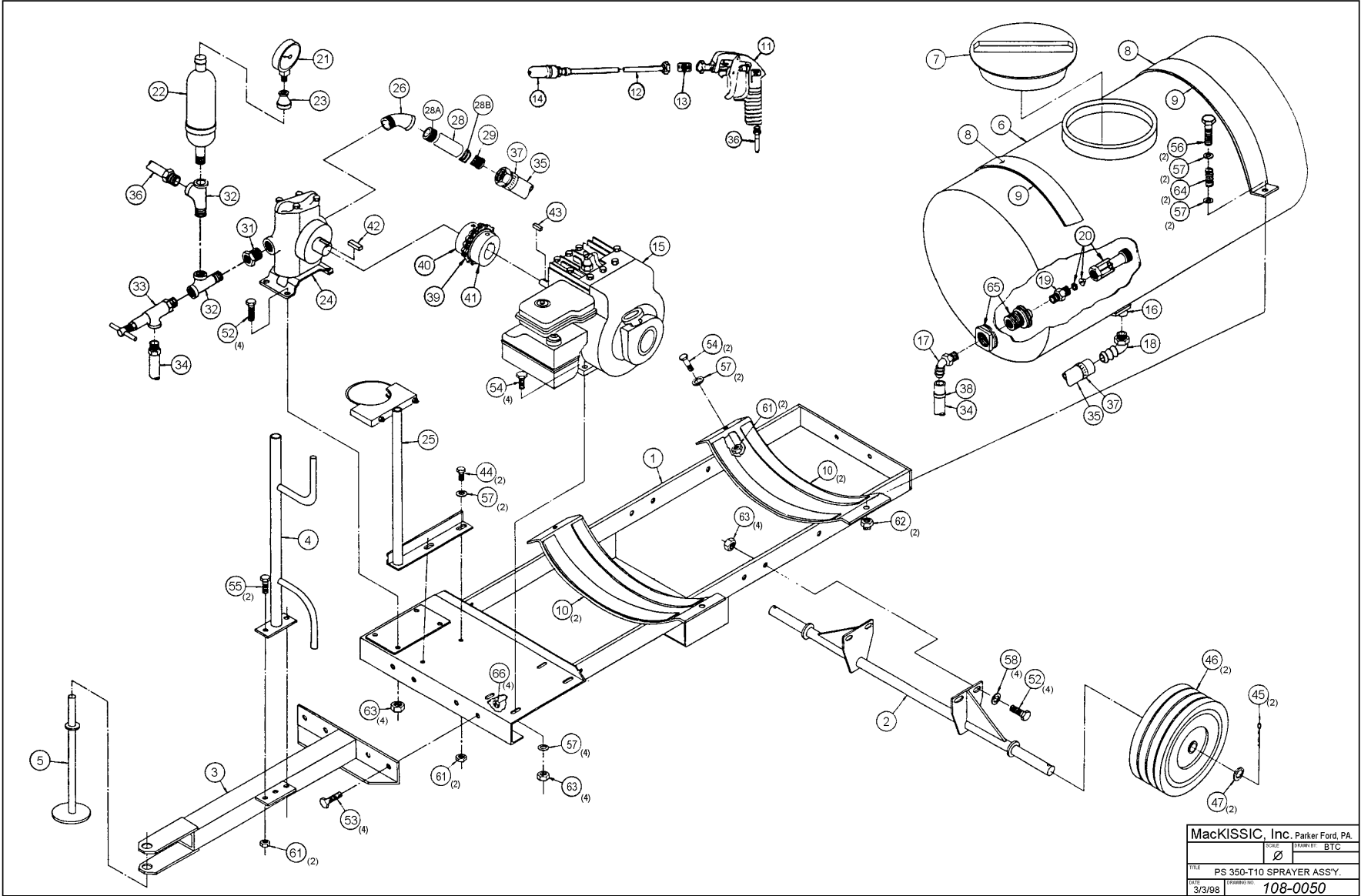


5200 SERIES PUMP PARTS LIST - P/N 108-0056

Ref. No.	Part No.	Qty.	Description
1	080-0852	1	Wrench 3020-0008
2	080-0853	2	Cap Screw 2220-0013
3	080-0854	2	Washer Gasket 2270-0012
4	080-0855	2	Piston Cup Spreader 1830-0039
5	080-0857	2	Backing Plate 1410-0054
6	080-0856	1	Leather Cup Kit 3430-0037
7	080-0858	2	Piston Guide 1440-0005
8	080-0859	2	Support Ring 1410-0018
9	080-0860	2	Support Ring 1410-0020
10	080-0861	1	Connecting Rod 0503-5200
11	080-0862	1	Bearing/Safety Cover 0602-5200
12	080-0813	1	Grease Fitting 2405-0006
13	080-0848	1	Crankshaft 5003-5210
15	080-0846	1	Retaining Ring 1810-0001
17	080-0080	1	1/4 x 1/4 x 1 1/2 key
20	080-0845	1	Sling Ring 1410-0006
21	080-0873	2	Ball Bearing 2005-0002
22	080-0837	1	Hex Head Cap Screw 2210-0062
23	080-0834	8	Cylinder Head 0203-5200C
24	080-0836	2	O-Ring Cyl. Head 1720-0028
25	080-0838	2	O-Ring Cyl. Sleeve 1720-0019
26	080-0839	2	Cylinder Sleeve 3550-0007
27	080-0840	2	Valve Set 3400-0038
27A	080-0822	4 Sets	O-Ring Valve 1720-0007
27B	080-0841	4	Valve Seat 3210-0011
27C	080-0842	4	Valve Poppet 3260-0002
27D	080-0843	4	Valve Spring 1900-0017
27E	080-0844	4	Valve Spring Guide 3270-0004
28	080-0833	4	Body 0100-C5200
29	080-0835	1	Base 1510-0024
		1	



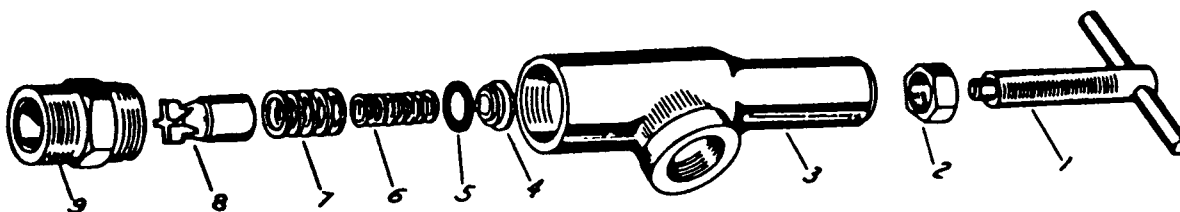
MacKISSIC, Inc. Parker Ford, PA.	
DATE: 3/3/98	ISSUED BY: BTC
TITLE: PS 350-T10 SPRAYER ASS'Y.	
DRAWING NO: 108-0050	

PS350T-10IC SPRAYER PARTS LIST

<u>ITEM NO.</u>	<u>PART NO.</u>	<u>QTY.</u>	<u>DESCRIPTION</u>
1	108-0074	1	Frame Weldment
2	108-0029	1	Axle Weldment
3	108-0015	1	Hitch Weldment
4	108-0025	1	Hose Rack Weldment
5	108-0076	1	Stand Weldment
6	100-0066	1	50 Gallon Tank
7	100-0079	1	10" Tank Lid
8	108-0054	2	Tank Band
9	100-0085	2	Tank Band Cushion Strip
10	100-0114	4	Cradle Cushion strip
11	100-0157	1	Spray Gun
12	100-0102	1	Gun Extension
13	100-0158	1	Outlet Adapter
14	100-0104	1	Extension Cone Jet
15	030-0262	1	6 H.P. Intek IC Gear Reduction Motor
16	100-0031	1	Bulkhead Fitting
17	100-0032	1	1/2" Nylon Elbow
18	100-0109	1	1/2" x 3/4" Nylon Elbow
19	100-0086	1	1/2" Nylon Hex Nipple
20	100-0111	1	Nylon Agitator complete
21	100-0081	1	Pressure Gauge complete (optional)
22	100-0080	1	Pulsation Dampener Surge Tank
23	080-0026	1	Pressure Gauge Reducer 1/2" x 1/4" (optional)
24	108-0056	1	Twin Piston Pump
25	108-0075	1	Surge Tank Support. Bracket
26	080-0031	1	45° Street Elbow 3/4"
28	080-1007	1	3/4" Full Coupling Std Wt Galv
28A	080-1008	1	3/4" x 3 1/2" St Wt Galv Nipple
28B	080-1009	1	3/4" NPT x 3/4" Hose Nylon Nipple
29	100-0030	1	Strainer
31	080-0020	1	Pipe Bushing, 3/4" x 1/2"
32	100-0135	2	1/2" Street Tee Std Wt Galv.
33	100-0094	1	Pressure Relief Valve
34	108-0058	1	Return Hose 1/2"
35	108-0059	1	Suction Hose 3/4"
36	100-0112	1	Spray Hose (25')
37	100-0124	2	Hose Clamp, 3/4"
38	100-0140	1	Hose Clamp, 1/2"
****	108-0078	1	COMPLETE - Pump & Motor Chain Coupling Assy
39	108-0078-1	1	Chain
40	108-0078-3	1	4016 x 1" Sprocket
41	108-0078-2	1	4016 x 3/4" Sprocket
42	500-0031	1	Pump Coupling Key 1/4" x 1" LG
43	100-0018	1	Motor Coupling Key, 3/16" x 1" LG
44	090-0066	2	5/16-18 x 3/4" HHCS
45	090-0253	---	Cotter Pin – No longer used with the switch to (#47) 807-0059 locking collars
46	020-0002	2	16" Dia. Wheel
47	807-0059	2	Locking Collar
52	090-0110	8	3/8"-16 x 1" HHCS
53	090-0111	4	3/8"-16 x 1-1/4 HHCS
54	090-0090	6	5/16"-18 x 1-1/2" HHCS
55	090-0088	2	5/16"-18 x 1" HHCS
56	090-0079	2	Tap Bolt, 5/16"-18 x 2-1/2" LG
57	090-0233	12	Flat Washer, 5/16"
58	090-0234	4	Flat Washer, 3/8"
61	090-0460	10	5/16"-18 Nylock Locknut
62	090-0460	2	5/16"-18 Nylock Lock Nut
63	090-0461	12	3/8"-16 Nylock Locknut
64	509-0009	2	Helix Spring
65	100-0031	1	Bulkhead Fitting w/Int. Thread.

PRESSURE RELIEF VALVE PART NO. 100-0094

Ref. No.	Part No.	Description
1	080-0700	Adj. Screw Assy. 5896 Brass
2	080-0701	Locknut 5898 Brass
3	080-0702	Body 6818-1/2 Brass
4*	080-0703	Spring Retainer 6545 Brass
5*	080-0704	Gasket 5899-BU Buna N
6*	080-0705	Inside Spring 6547-SS
7*	080-0706	Outside Spring 6546-SS
8*	080-0707	Guide Seat 9897 Brass
9*	080-0708	Inlet Adapter 6789 Brass
*	080-0763	Relief Valve Repair Kit Includes These



AVAILABLE POWER SPRAYER KITS AND ACCESSORIES

For models PS322TE, PS322T, PS350T, AND PS350T-10IC:

4NB	Four Nozzle Boom Sprays 80"
4NBE	Four Nozzle Boom Sprays 80" (PS322TE only)
6NSB/8NSB	Six Nozzle Hinged Boom Sprays 120"
	Eight Nozzle Hinged Boom for Crop Sprays (10 GPM sprayers only)
100-0112	25' High Pressure Hose
100-0112A	50' High Pressure Hose
100-0112B	75' High Pressure Hose
100-0112C	100' High Pressure Hose
108-0092	Pressure Gauge Kit (PS350T-10IC only)
108-0084	Pressure Gauge Kit (PS322T & PS350T)
100-0080	Pulsation Dampener Surge Tank
100-0159	Pistol Grip Gun w/Extension
100-0102	Brass Spray Gun Extension only
108-0083	Jet Agitation Kit
108-0082	Handle Kit (PS322T)