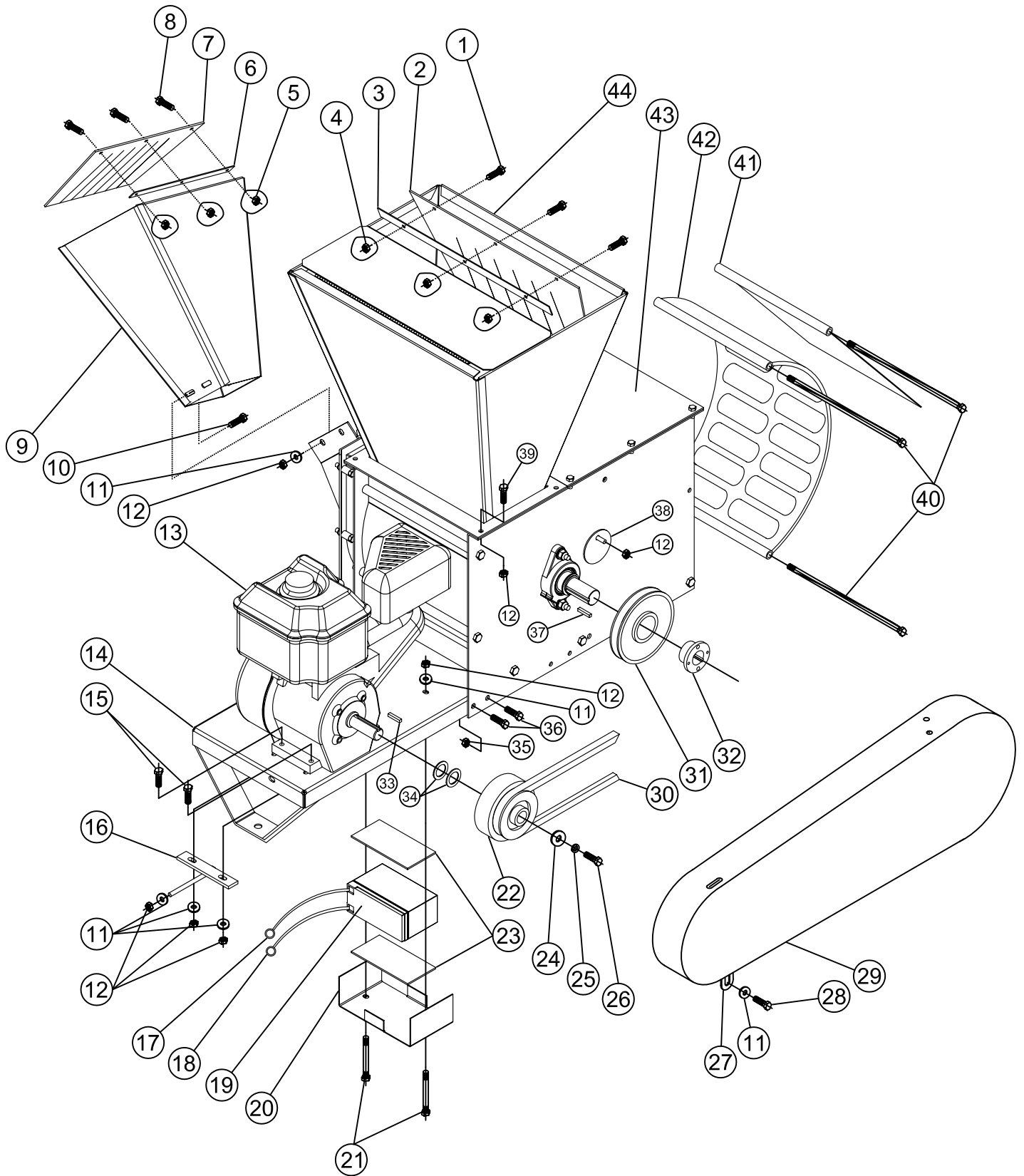


## SECTION VI - PARTS

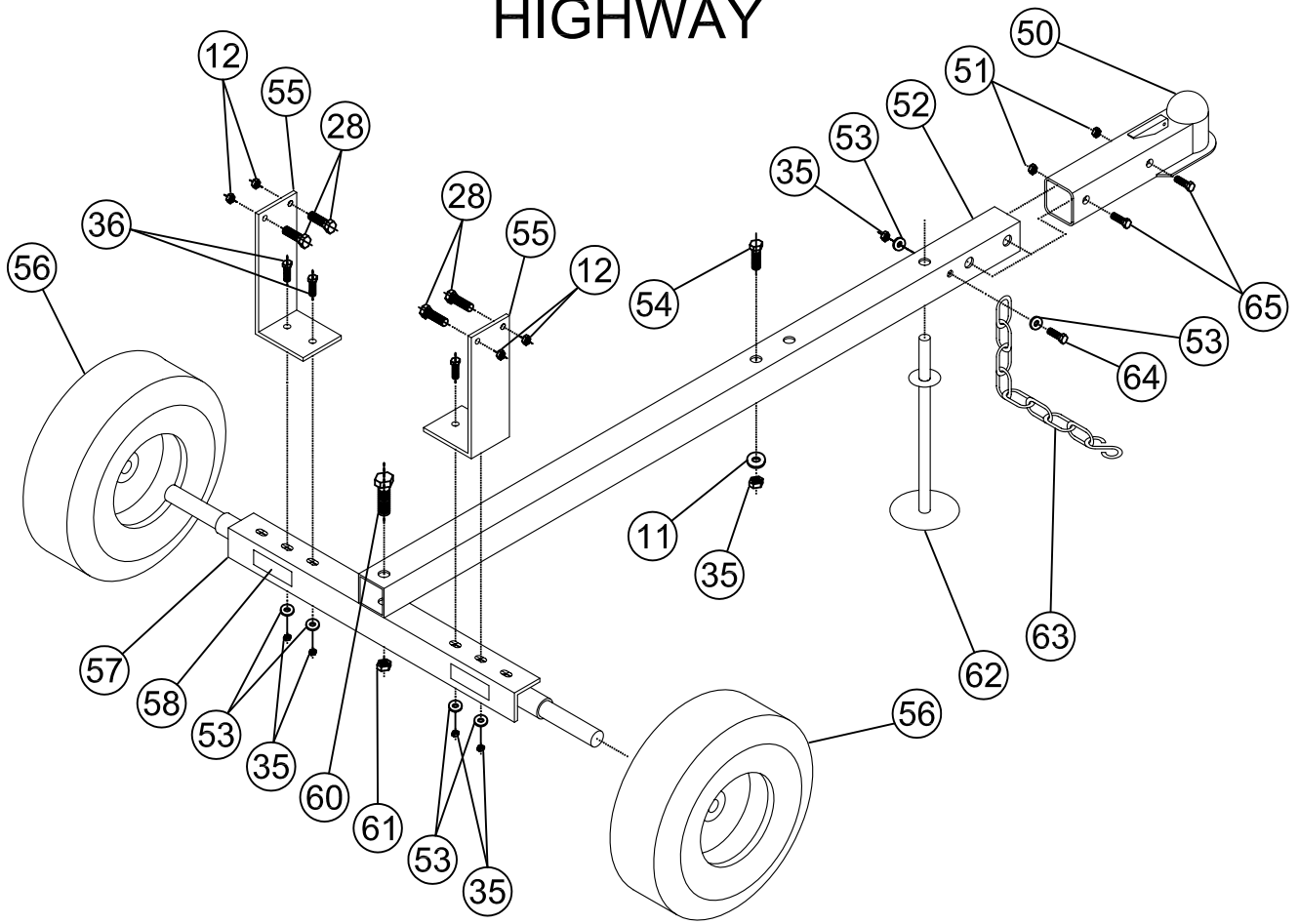
### PARTS LIST

ITEM #	PART #	QTY	DESCRIPTION
1	090-0012	3	¼-20 X ¾" HHCS
2	910-0052	1	SHREDDER HOPPER BLOW BACK SHIELD
3	911-0049	1	BLOW BACK SHIELD MOUNT STRIP
4	090-0470	5	¼-20 NYLOCK NUT
5	090-0703	3	10-24 NYLOCK NUT
6	913-0378	1	BLOW BACK SHIELD MOUNT STRIP
7	910-0053	1	CHIPPER HOPPER BLOW BACK SHIELD
8	090-0704	3	10-24 X ¾" PHMS
9	910-0039	1	CHIPPER HOPPER WELDMENT
10	090-0462	4	5/16-18 X ¾" CARRIAGE BOLT
11	090-0233	14	5/16 USS FLAT WASHER
12	090-0460	28	5/16-18 NYLOCK NUT
13	030-0545	1	1650 SERIES B&S ENGINE
14	910-0061	1	ENGINE BASE WELDMENT
15	090-0091	4	5/16-18 X 1 ¾" HHCS
16	913-0437	1	BELT TENSIONER
17	913-0097	1	POSITIVE BATTERY CABLE
18	913-0098	1	NEGATIVE BATTERY CABLE
19	030-0244	1	12V BATTERY
20	900-0332	1	BATTERY BOX
21	090-0076	2	5/16-18 X 3 ½" HHCS
22	030-0202	1	CLUTCH
23	030-0377	2	BATTERY PAD
24	704-0106	1	WASHER
25	090-0228	1	3/8 LOCK WASHER
26	090-0633	1	3/8-24 X 1 ½" HHCS
27	900-0103-1	3	BELT GUARD BRACKET
28	090-0088	18	5/16-18 X 1" HHCS
29	030-0484	1	BELT GUARD
30	030-0488	1	5H600 BELT
31	030-0443	1	6" SHEAVE
32	030-0444	1	QD BUSHING
33	703-0424	1	¼ X 2" KEY
34	090-0024-3	2	SHIM
35	090-0461	10	3/8-16 NYLOCK NUT
36	090-0110	4	3/8-16 X 1" HHCS
37	080-0081	1	¼ X 1 ¼" KEY
38	900-0040	1	COVER PLATE
40	910-0058	4	SCREEN & BAFFLE ROD
41	910-0051	1	BAFFLE WELDMENT
42	910-0048	1	SCREEN WELDMENT
43	910-0057	1	SC150 BASIC MACHINE
44	910-0024	1	SHREDDER HOPPER WELDMENT
50	913-0218	1	TRAILER HITCH
51	090-0050	2	½-13 GRIPCO LOCKNUT
52	900-0252	1	TOW BEAM
53	090-0234	6	3/8 USS FLAT WASHER

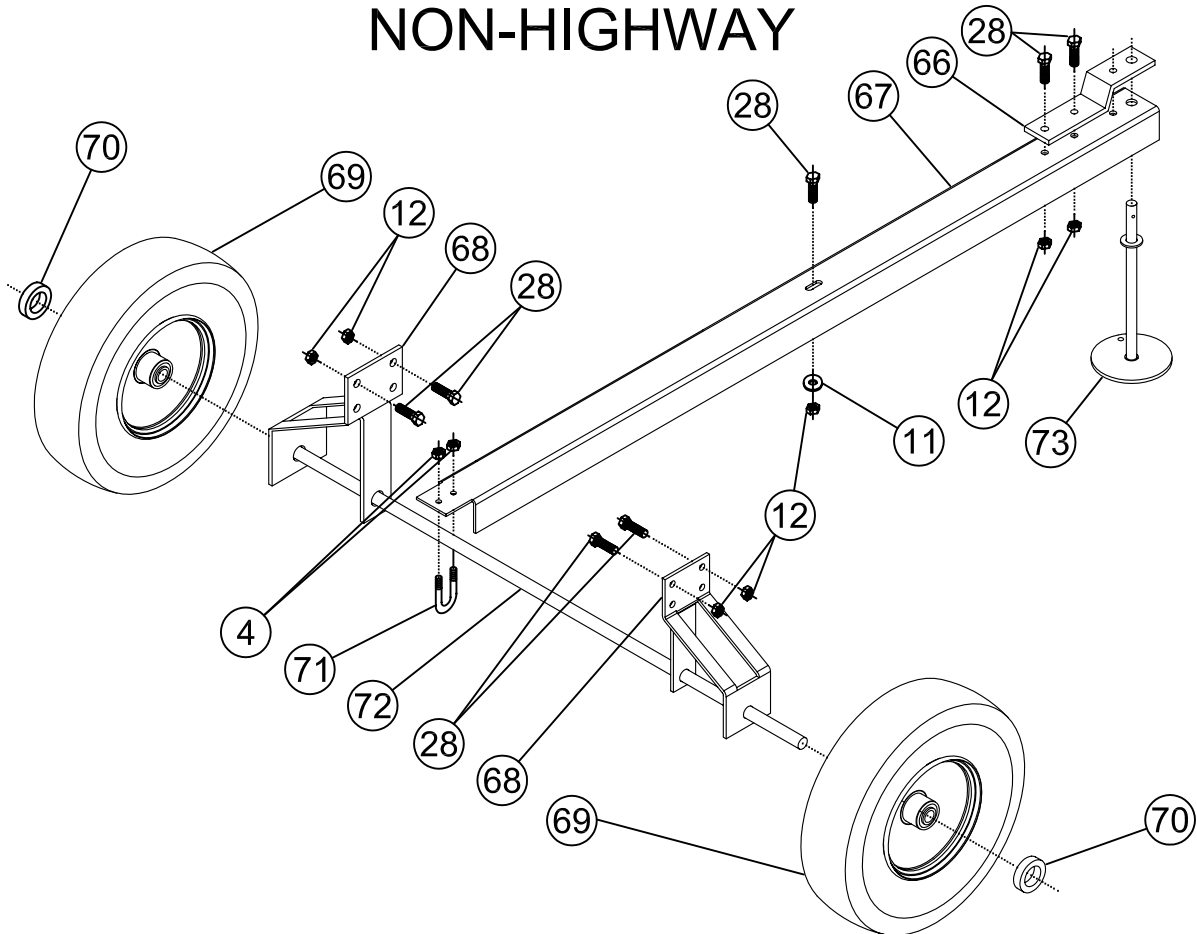
54	090-0093	1	5/16-18 X 3" HHCS
55	900-0249	2	AXLE BRACKET
56	702-0040	2	WHEEL & TIRE
57	911-0070	1	AXLE WELDMENT
58	030-0375	2	REFLECTOR
60	090-0201	1	5/8-11 X 3 1/2" HHCS
61	090-0694	1	5/8-11 NYLOCK NUT
62	108-0076	1	STAND WELDMENT
63	408-0078	2	SAFETY CHAIN
64	090-0123	1	3/8-16 X 3 1/2" HHCS
65	090-0370	2	1/2-13 X 3" HHCS
66	913-0008	1	HITCH PLATE
67	913-0089	1	TOW BEAM
68	908-0060	2	AXLE BRACKET
69	030-0240	2	4.10/3.50 – 6 WHEEL & TIRE
70	090-0536	2	5/8" SHAFT COLLAR
71	090-0610	1	1/4-20 X 1 1/4" U BOLT
72	913-0090	1	28 1/4" AXLE
73	913-0029	1	STAND WELDMENT
74	080-0090	6	RIVET
75	090-0111	4	3/8-16 X 1 1/4" HHCS
76	500-0012	2	5/8" SPACER



# HIGHWAY



# NON-HIGHWAY

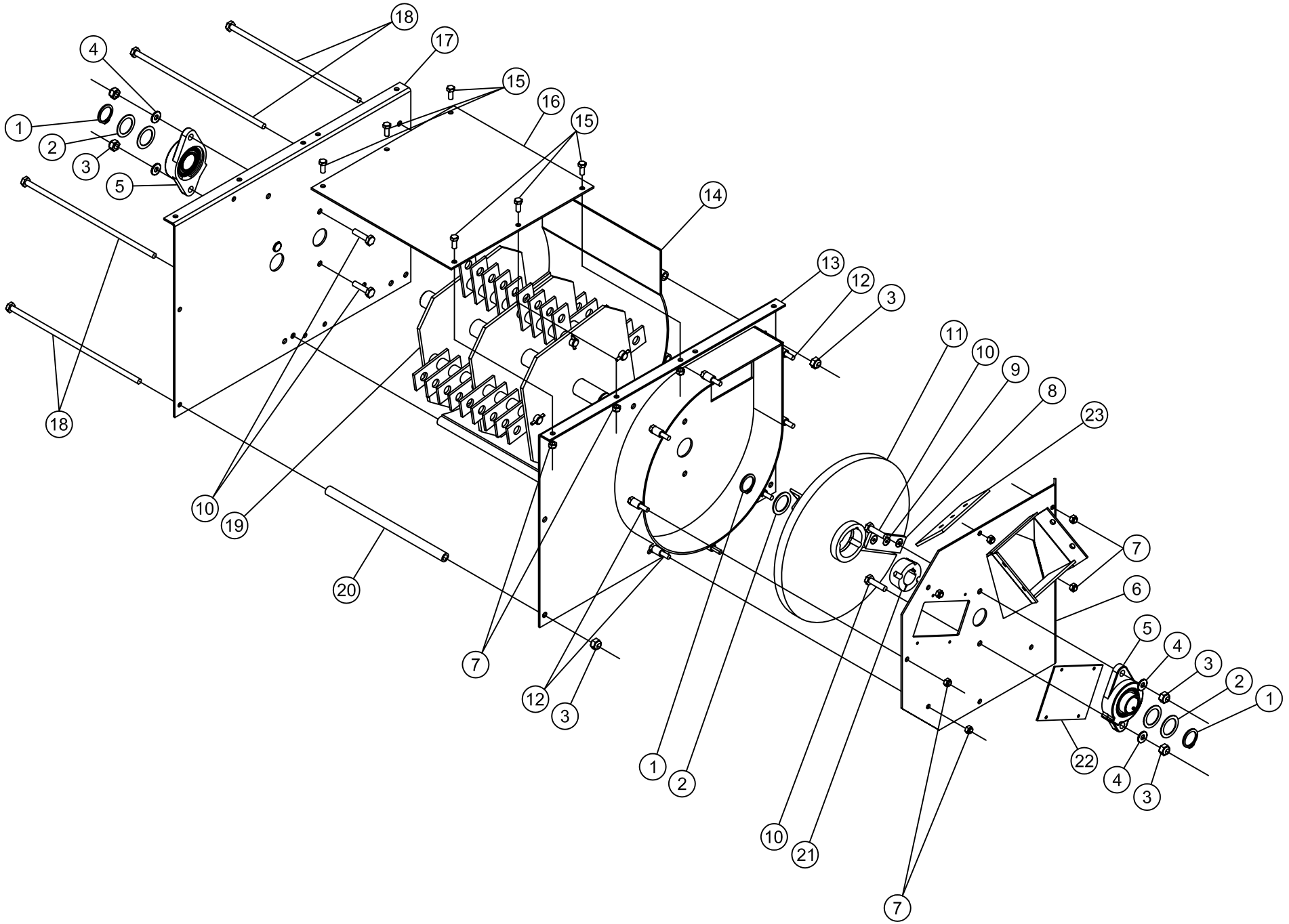


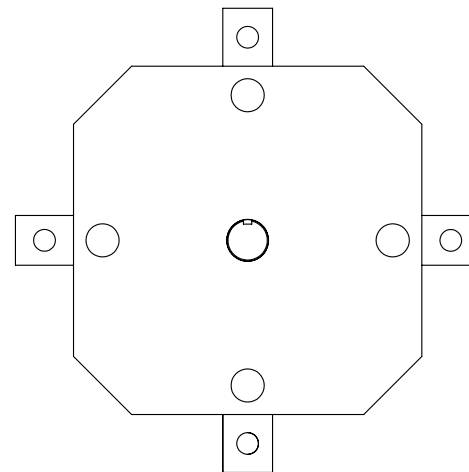
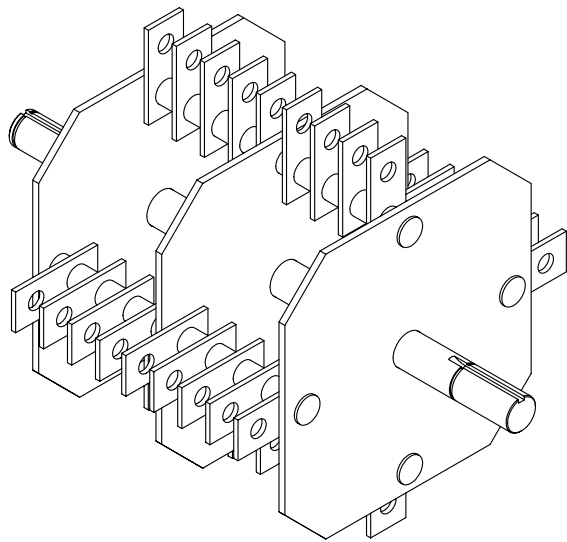
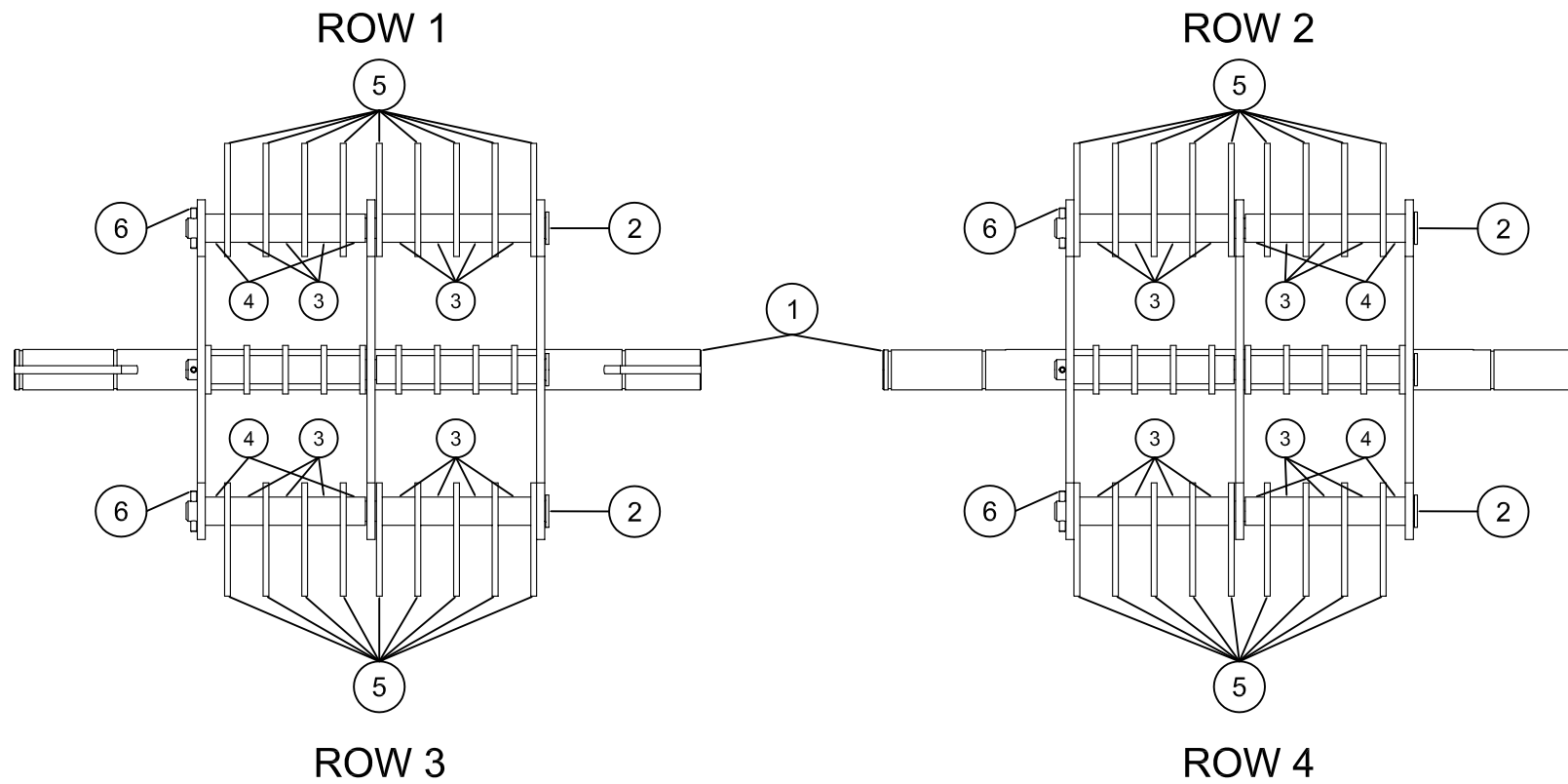
### BASIC PARTS LIST

ITEM #	PART #	QTY	DESCRIPTION
1	030-0449	3	RETAINING RING
2	030-0452	5	SHIM
3	090-0049	9	3/8-16 GRIPCO LOCKNUT
4	090-0233	4	5/16 USS FLAT WASHER
5	030-0441	2	BEARING
6	910-0022	1	CHIPPER CHUTE PLATE WELDMENT
7	090-0048	14	5/16-18 GRIPCO LOCKNUT
8	030-0498	1	KNIFE
9	090-0413	3	5/16-18 X 1" FSHCS
10	090-0121	4	3/8-16 X 1 1/4" HHCS
11	910-0020	1	CHIPPER DISK – COMPLETE WITH KNIFE
12	090-0089	8	5/16-18 X 1 1/4" HHCS
13	910-0006	1	CHIPPER SIDE WELDMENT
14	910-0003	1	SCROLL WELDMENT
15	090-0066	6	5/16-18 X 3/4" HHCS
16	910-0009	1	TOP PLATE
17	910-0056	1	DRIVE SIDE PLATE WELDMENT
18	090-0707	5	3/8-16 X 13" HHCS
19	910-0016	1	ROTOR ASSEMBLY
20	910-0002	1	SCROLL TUBE
21	030-0442	1	TAPERLOCK BUSHING
22	913-0210	1	ACCESS COVER
23	910-0044	1	WEAR PLATE

### ROTOR ASSEMBLY PARTS LIST

ITEM #	PART #	QTY	DESCRIPTION
1	910-0012	1	ROTOR WELDMENT
2	910-0013	4	HAMMER ROD
3	910-0014	28	HAMMER SPACER
4	910-0015	8	HAMMER SPACER
5	500-0008	36	HAMMER
6	090-0626	4	ROLL PIN





910-0016 ROTOR ASSEMBLY