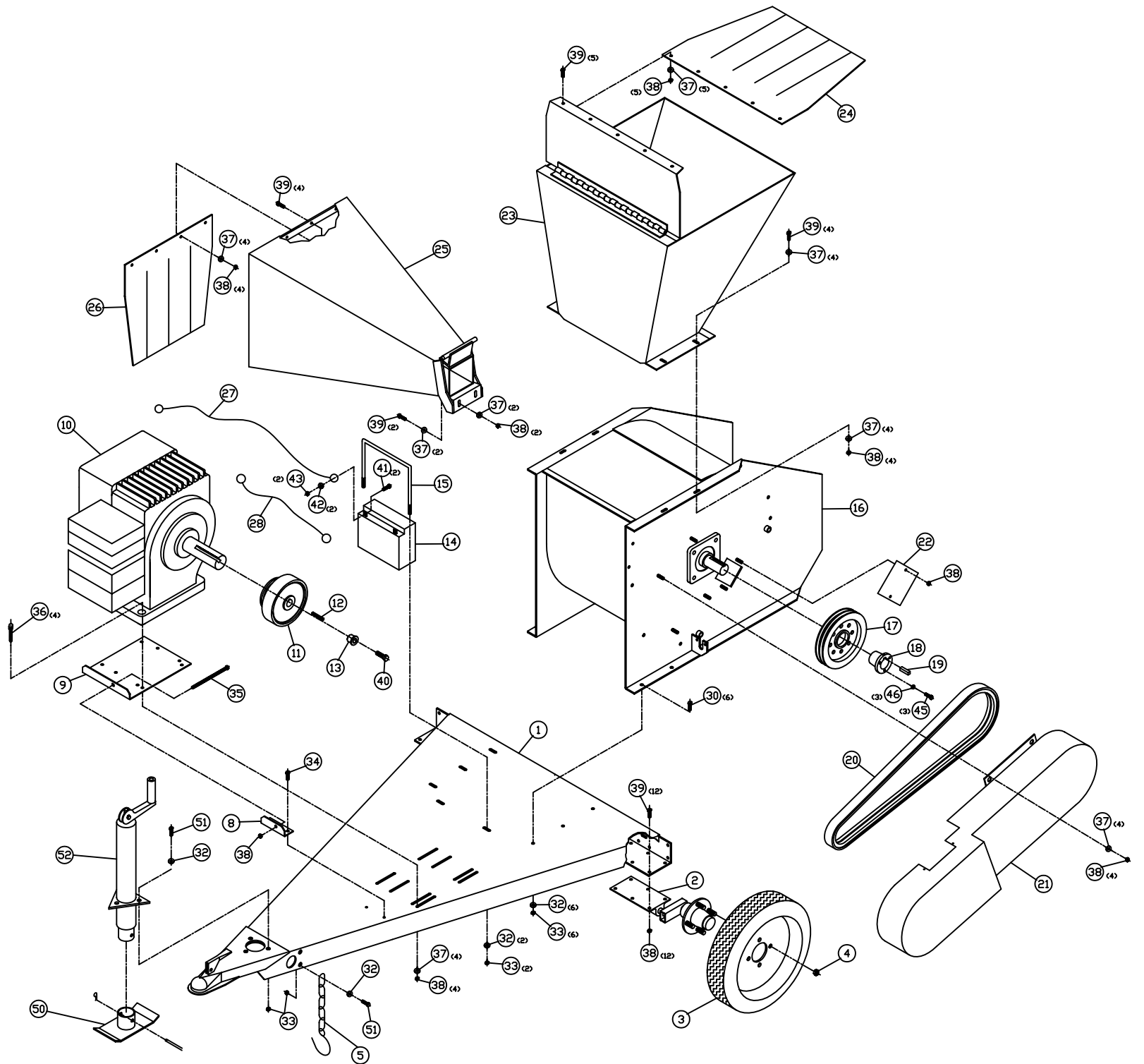


## PARTS LIST - SC262

ITEM #	QTY.	PART #	DESCRIPTION
1	1	912-2401	A-FRAME WELDMENT
2	1	912-2601-L	LH FLEX AXLE WITH HUB
---	1	912-2601-R	RH FLEX AXLE WITH HUB
3	2	030-0207	WHEEL AND TIRE ASSEMBLY
4	8	---	LUG NUTS – COMES WITH ITEM #2
5	2	912-3522	SAFETY CHAIN
6	1	912-3526	BELT GUARD INNER PIECE
7	1	912-2357	SCREEN ROD RETAINING PLATE
8	1	912-3507	BELT ADJUSTMENT BASE ANGLE
9	1	912-3508	BELT ADJUSTMENT MOTOR PLATE
10	1	030-0325	18 HP B&S VANGUARD ENGINE
11	1	912-2644	CLUTCH
12	1	703-0424	1/4 X 1/4 X 2" KEY
13	1	912-3006	CLUTCH RETAINER
14	1	911-0250	BATTERY – ELECTRIC START ONLY
15	1	912-3506	BATTERY HOLD DOWN – ELEC START ONLY
16	1	912-1001	BASIC CHIPPERSHREDDER
17	1	030-0211	PULLEY
18	1	030-0212	BUSHING
19	1	080-0084	3/8 X 3/8 X 1 1/2 " KEY
20	1	030-0209	BELT
21	1	912-3510	BELT GUARD WELDMENT
22	1	912-2224	ACCESS DOOR
23	1	912-3009	SHREDDER HOPPER
24	1	912-2320	SHREDDER HOPPER BLOWBACK GUARD
25	1	912-3008	CHIPPER HOPPER
26	1	912-2319	CHIPPER HOPPER BLOWBACK GUARD
27	1	913-0266	POSITIVE BATTERY CABLE – ELECT START
28	1	911-0228	NEGATIVE BATTERY CABLE – ELECT START
30	6	090-0111	3/8-16 X 1 1/4" HHCS
31	3	090-0736	#10-24 X 3/4 SELF TAPPING SCREW
32	12	090-0234	3/8 USS FLATWASHER
33	13	090-0461	3/8-16 NYLOCK NUT
34	2	090-0503	5/16-18 X 3/4" SELT TAPPING HHCS
35	1	710-2359	5/16-18 X 7" CARRIAGE BOLT
36	4	090-0072	5/16-18 X 2" HHCS
37	38	090-0233	5/16 USS FLATWASHER
38	36	090-0460	5/16-18 NYLOCK NUT
39	27	090-0089	5/16-18 X 1 1/4" HHCS
40	1	090-0529	3/8-24 X 1 1/4" SHCS
41	2	090-0012	1/4-20 X 3/4" HHCS
42	4	090-0232	1/4 USS FLATWASHER
43	2	090-0470	1/4-20 NYLOCK NUT
44	3	090-0629	1/2-13 NYLOCK NUT
45	3	090-0061	1/4-20 X 1 1/4" HHCS
46	3	090-0378	1/4 LOCKWASHER
47	1	090-0090	5/16-18 X 1 1/2" HHCS
48	3	090-0235	1/2 USS FLATWASHER
49	1	090-0419	5/16-18 X 2 3/4" HHCS
50	1	912-3520	FOOT PLATE WITH HARDWARE
51	5	090-0112	3/8-16 X 1 1/2" HHCS PLTD
52	1	912-3519	TONGUE JACK
53	2	807-0057	1/4 X 7/8 CLEVIS PIN
54	2	100-0015	3/32 HAIRSPRING COTTER

SC2602 PARTS BREAKDOWN



**912-1001 BASIC CHIPPER-SHREDDER  
PARTS LIST**

ITEM #	QTY.	PART #	DESCRIPTION
1	1	912-2203	CHUTE SIDE WELDMENT
2	1	912-2204	DRIVE SIDE WELDMENT
3	1	912-3019	FRONT SCROLL WELDMENT
4	1	912-3018	REAR SCROLL WELDMENT
5	48	912-2215	HAMMER
6	8	912-2216	SMALL SPACER
7	48	912-2218	LARGE SPACER
8	2	912-2221	KNIFE
9	1	912-2406	ROTOR WELDMENT
10	4	912-2407	HAMMER ROD WELDMENT
11	2	030-0208	BEARING - 1 1/2"
12	1	912-2220	WEAR PLATE
13	1	900-0040	COVER PLATE
14	1	912-2405	DISCHARGE DEFLECTOR WELDMENT
15	1	912-2415	SPRING LATCH
16	1	912-2409	BAR SCREEN WELDMENT
17	1	912-2353	SCREEN PIVOT ROD
18	2	912-2346	SCREEN LOCK RODS
19	8	090-0526	3/8-16 X 1 3/4" FHSCS
20	8	912-3401	LONG SCROLL BOLT
21	2	090-0233	5/16 USS FLATWASHER
22	16	090-0351	1/2 SPLIT LOCKWASHER
23	2	090-0113	3/8-16 X 1 3/4" HHCS
24	5	090-0461	3/8-16 NYLOCK NUT
25	8	090-0463	1/2-13 X 1 1/2" HHCS
26	16	090-0050	1/2-13 GRIPCO NUT
27	2	090-0003	1/4-20 X 5/8" RHMS
28	2	090-0470	1/4-20 NYLOCK NUT
29	2	090-0543	SHIM
30	2	090-0544	RETAINING RING
31	4	807-0057	1/4 X 7/8 CLEVIS PIN
32	4	100-0015	3/32 HAIR SPRING COTTER
33	2	912-2357	SCREEN ROD RETAINING PLATE
34	5	706-1539	10-32 KEP NUT
36	5	090-0002	10-32 X 1/2 RHMS
37	1	912-3523	DEFLECTOR FLAP

912-1001 BASIC CHIPPER-SHREDDER  
PARTS BREAKDOWN

