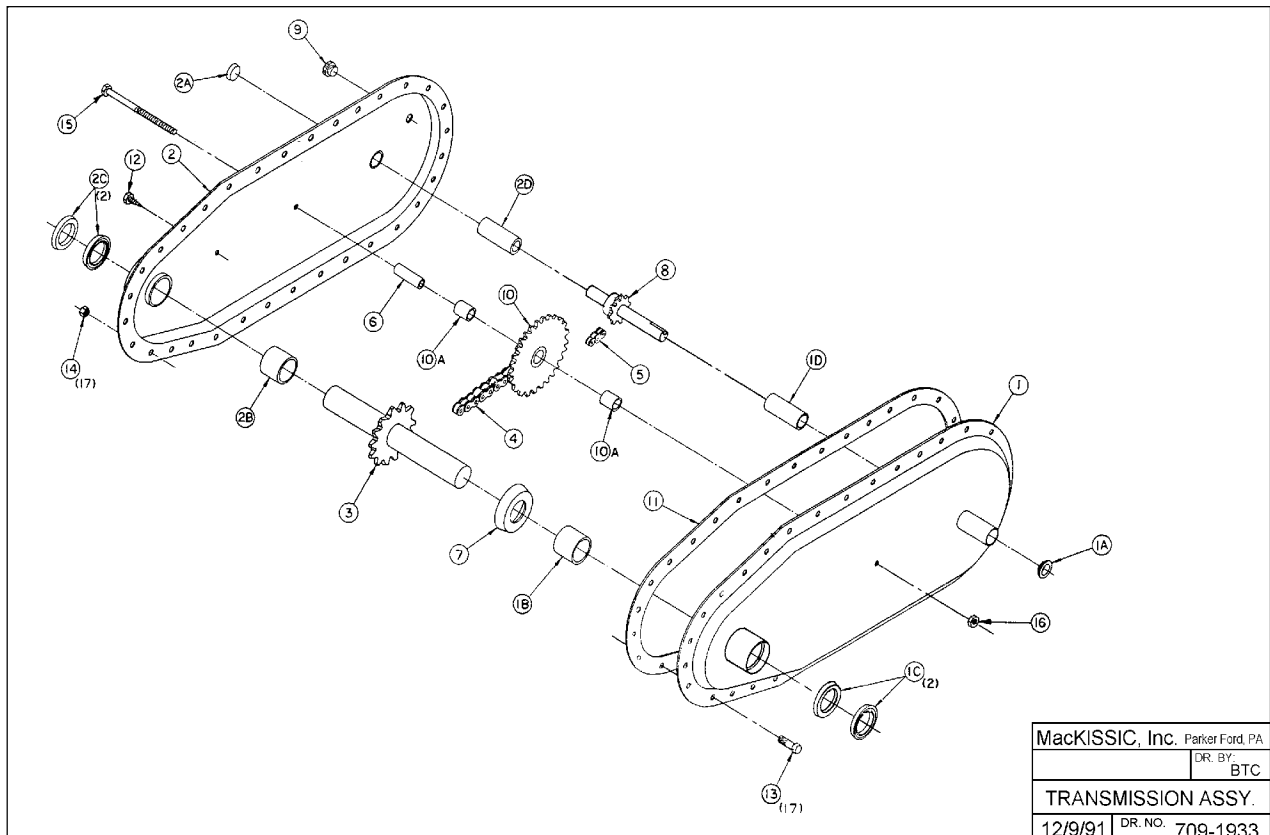
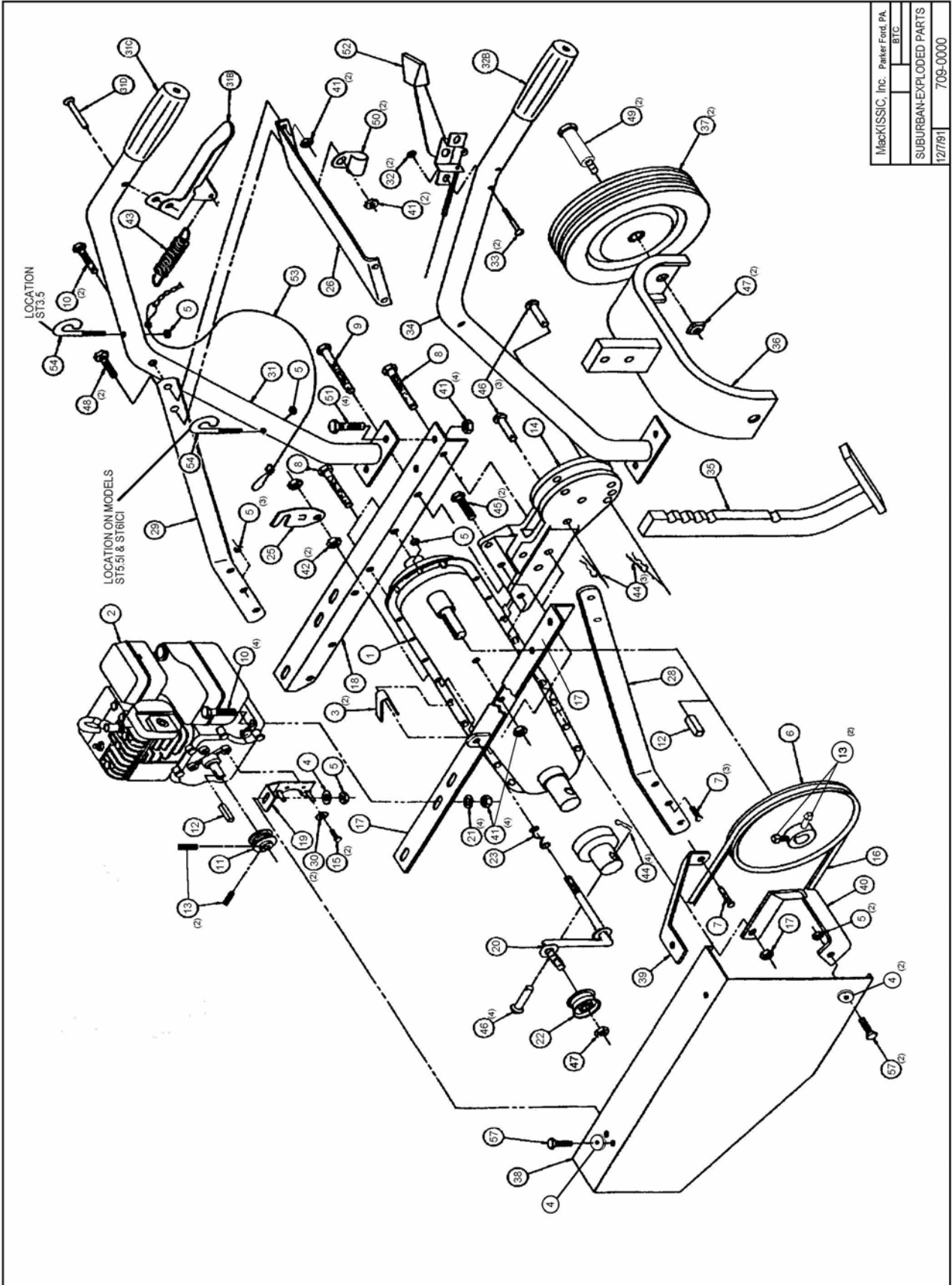


709-1933 TRANSMISSION ASSEMBLY

ITEM NO.	PART NO.	DESCRIPTION	QTY.
1	709-1934	L.H. Case Half Assembly (includes 1A-1D)	1
1A	706-0342	Drive Shaft Seal	1
1B	706-0343	Tine Shaft Bearing	1
1C	706-0344	Oil Seal	2
1D	706-0345	Bearing	1
2	709-1935	R.H. Case Half Assembly (includes 2A-2D)	1
2A	020-0014	Soft Plug	1
2B	706-0343	Tine Shaft Bearing	1
2C	706-0344	Oil Seal	2
2D	706-0345	Bearing	1
3	709-0147	Tine Shaft Weldment	1
4	706-0347	Roller Chain #50-40 Pitches	1
5	706-0348	Roller Chain #35-50 Pitches	1
6	709-0352	Idler Sprocket Inner Race	1
7	709-0651	Tine Shaft Spacer	1
8	706-2500	Drive Shaft Assembly	1
9	706-3411	Caplug	1
10	709-1615	Idler Sprocket Assembly (includes 10A)	1
10A	030-0093	Idler Sprocket Bearing	2
11	709-1654	Transmission Case Gasket	1
12	706-2788	1/4 x 3/4" Self Tapping Screw	1
13	706-3096	1/4-20 x 1/2" HH Whiz Lockscrew	17
14	090-0453	1/4-20 Whiz Locknut	17
15	090-0419	5/16-18 x 2-3/4" HHCS	1
16	090-0460	5/16-18 Nylock Locknut	1
--	060-0034	"OO" Grease	1



MacKISSIC, Inc. Parker Ford, PA	
DR. BY:	BTC
TRANSMISSION ASSY.	
12/9/91	DR. NO. 709-1933



MacKISSIC, Inc. Parker Ford PA
BTC
SUBURBAN-EXPLODED PARTS
12/7/91 709-0000

SUBURBAN PARTS LIST

ITEM NO.	PART NO.	DESCRIPTION	QTY.
1	709-1933	Transmission Assembly	1
2	030-0505	ST800 - B&S Engine	1
2	030-0503	ST800IC – B&S Engine	1
2	706-3404	ST5.5H - Honda Engine	1
2	030-0446	ST6R - Robin Engine	1
3	709-0165	"U" Shaped Spacer	2
4	090-0232	1/4" Flat Washer	4
5	090-0470	1/4-20 Nylock Locknut	7
6	030-0109	Pulley - Transmission	1
7	090-0060	1/4-20 x 1" HHCS	3
8	090-0419	5/16-18 x 2-3/4" HHCS	2
9	090-0093	5/16-18 x 3" HHCS	1
10	090-0091	5/16-18 x 1-3/4" HHCS	6
11	706-1368	Pulley - Engine	1
12	100-0018	3/16 x 3/16 x 1" Shaft Key	1
13	080-0053	5/16-18 x 5/16" Set Screw	4
14	709-2502	Hitch-Rear	1
15	090-0408	5/16-24 x 3/4" HHCS	2
16	030-0131	V-Belt	1
17	709-2205	L.H. Engine Mount Weldment	1
18	709-2208	R.H. Engine Mount	1
19	709-2647	Belt Release Bracket Weldment	1
20	706-3417	Idler Arm Weldment	1
21	090-0233	5/16 Flat Washer	4
22	030-0111	Idler Pulley	1
23	709-3409	Idler Arm Compression Spring	1
25	706-0137	Adjustment Link	1
26	706-1826	Cross Brace	1
27	100-0018	3/16 x 3/16 x 1 Key - ST6 & ST6IC	1
27	703-0505	3/16 x 3/16 x 1 1/2 Key - ST5.5H	1
28	709-3136	Tie Bar L.H.	1
29	709-3137	Tie Bar R.H.	1
30	090-0394	5/16" Split Lock Washer	2
31	706-2637	R. H. Handle Assembly (includes 31B, 31C, and 31D)	1
31B	706-3254	Clutch Control Lever	1
31C	706-0630	Handle Grip	1
31D	706-2791	1/4 x 1-3/8" Rivet	1
32	706-1539	10-32 Nut	2
33	090-0400	10-32 x 1 1/4 Rd Hd Machine Screw	2
34	706-2632	L.H. Handle Assembly (includes 32B)	1
35	706-0895	Rear Skid Weldment	1
36	706-2480	Wheel Frame Weldment	1
37	706-3348	Wheel	2
38	709-2658	Belt Cover	1
39	709-2659	Trans. Case to Belt Cover Bracket	1
40	709-3080	Engine Mount to Belt Cover Bracket	1
41	090-0460	5/16-18 Nylock Locknut	17
42	090-0207	3/8-16 Hex Nut	2
43	706-0152	Clutch Control Spring	1
44	706-0924	1/8" Hair Spring Cotter	7
45	090-0089	5/16-18 x 1-1/4" HHCS	2
46	706-1024	Clevis Pin	7
47	090-0461	3/8 Nut Nylock	2
48	090-0066	5/16-18 x 3/4" HHCS	2
49	705-0056-2	1/2 Shoulder Bolt	2
50	706-2243	Cable Guide - ST4I & ST5.5H	2
50	706-2243	Cable Guide - ST5.5I & ST6ICI	3
51	090-0088	5/16-18 x 1" HHCS	4
52	710-2667	Throttle Control – Honda & Robin units	1
52	710-3408	Throttle Control – Briggs & Stratton unitS	1
53	706-2250	Clutch Cable Assembly	1
54	090-0467	Pull Cord Holder	1
57	090-0012	1/4-20 x 3/4" HHCS	3
---	707-1338-A	L.H. Inside Slasher Tine – Not Shown	1
---	707-1339-A	R.H. Inside Slasher Tine – Not Shown	1
---	707-1704-A	L.H. Outside Slasher Tine – Not Shown	1
---	707-1705-A	R.H. Outside Slasher Tine – ot Shown	1