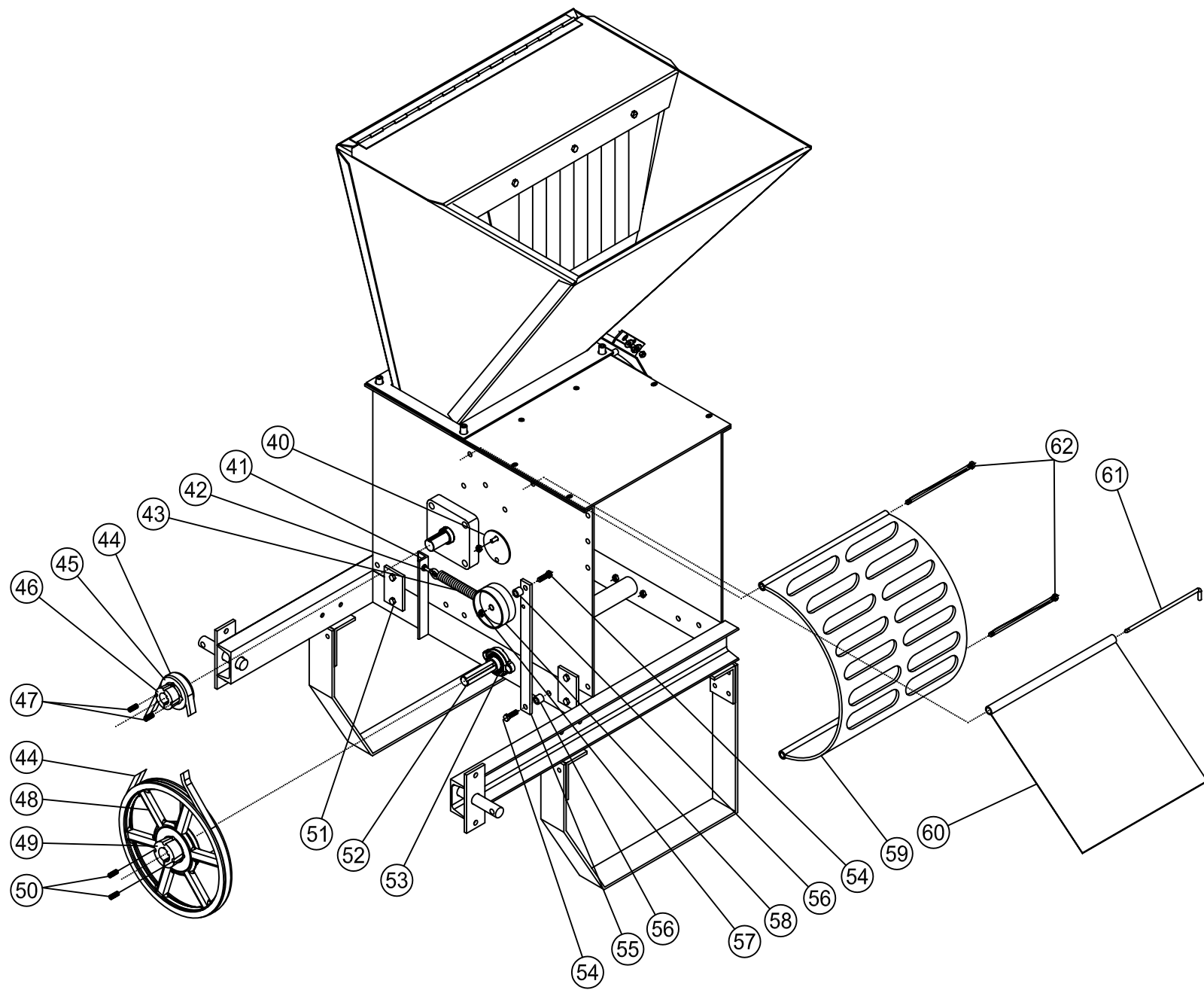


## PARTS LIST

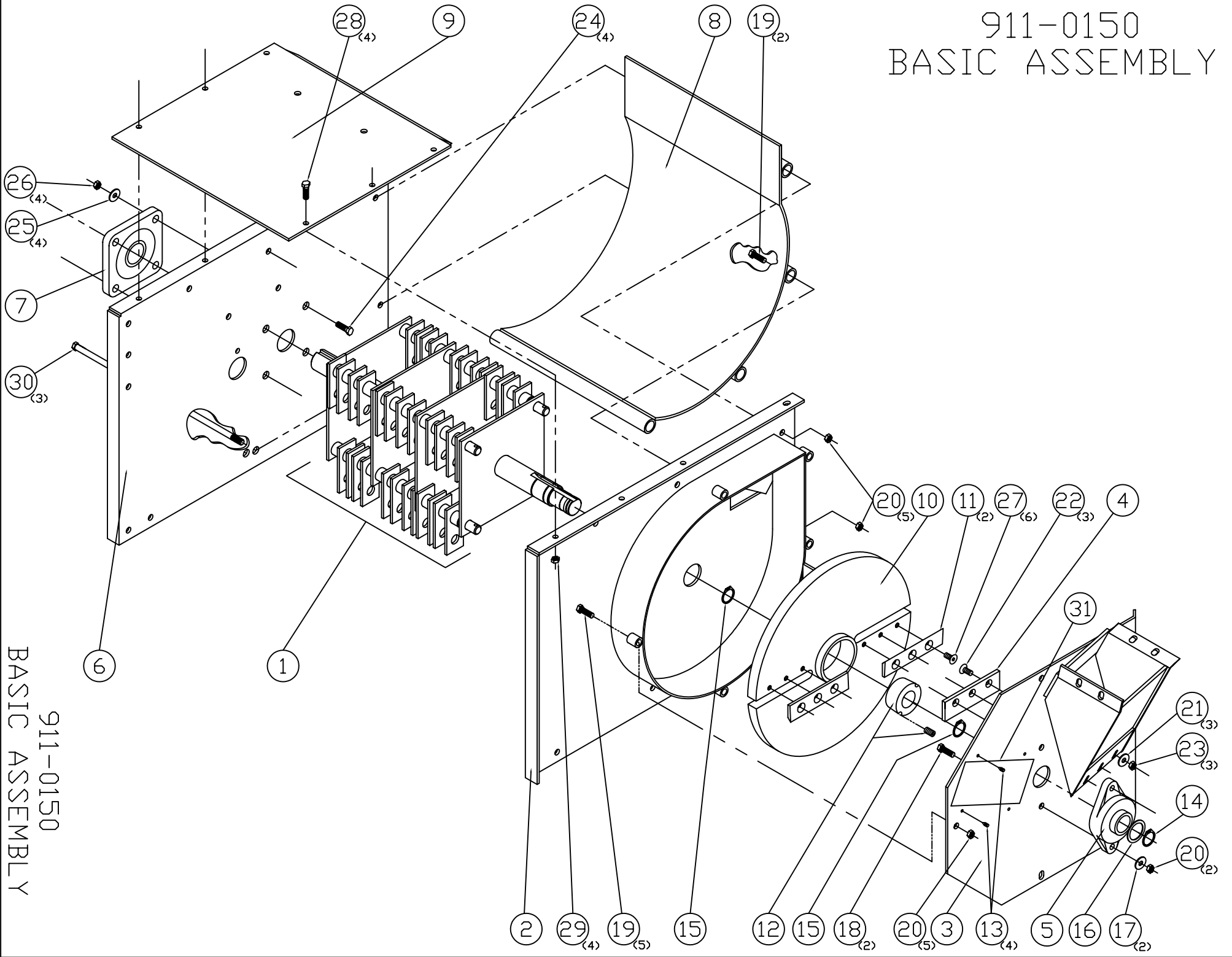
ITEM #	PART #	QTY	DESCRIPTION
1	090-0462	4	5/16-18 X 3/4" CARRIAGE BOLT
2	913-0380	1	CHIPPER HOPPER KIT
3	911-0034	1	SHREDDER HOPPER BLOW BACK GUARD
4	090-0012	3	1/4-20 X 3/4" HHCS
5	911-0049	1	BLOW BACK GUARD MOUNT BAR
6	090-0470	3	1/4-20 NYLOCK NUT
7	911-0028	1	SHREDDER HOPPER WELDMENT
8	090-0460	20	5/16-18 NYLOCK NUT
9	500-0068	4	VIBRATION DAMPENER
10	090-0089	2	5/16-18 X 1-1/4" HHCS
11	090-0090	2	5/16-18 X 1-1/2" HHCS
12	911-0302	1	UPPER SUPPORT WELDMENT
13	090-0370	1	1/2-13 X 3" HHCS
14	911-0296	1	CENTER BRACE
15	090-0110	4	3/8-16 X 1" HHCS
16	090-0461	4	3/8 NYLOCK LOCKNUT
17	090-0050	1	1/2-13 GRIPCO LOCKNUT
18	911-0294	2	LEG
19	090-0088	16	5/16-18 X 1" HHCS
20	911-0295	2	TPH MOUNT BRACKET
21	911-0300	1	BELT GUARD WELDMENT
22	911-0293	1	FRAME WELDMENT
23	911-0150	1	BASIC MACHINE



## PARTS LIST

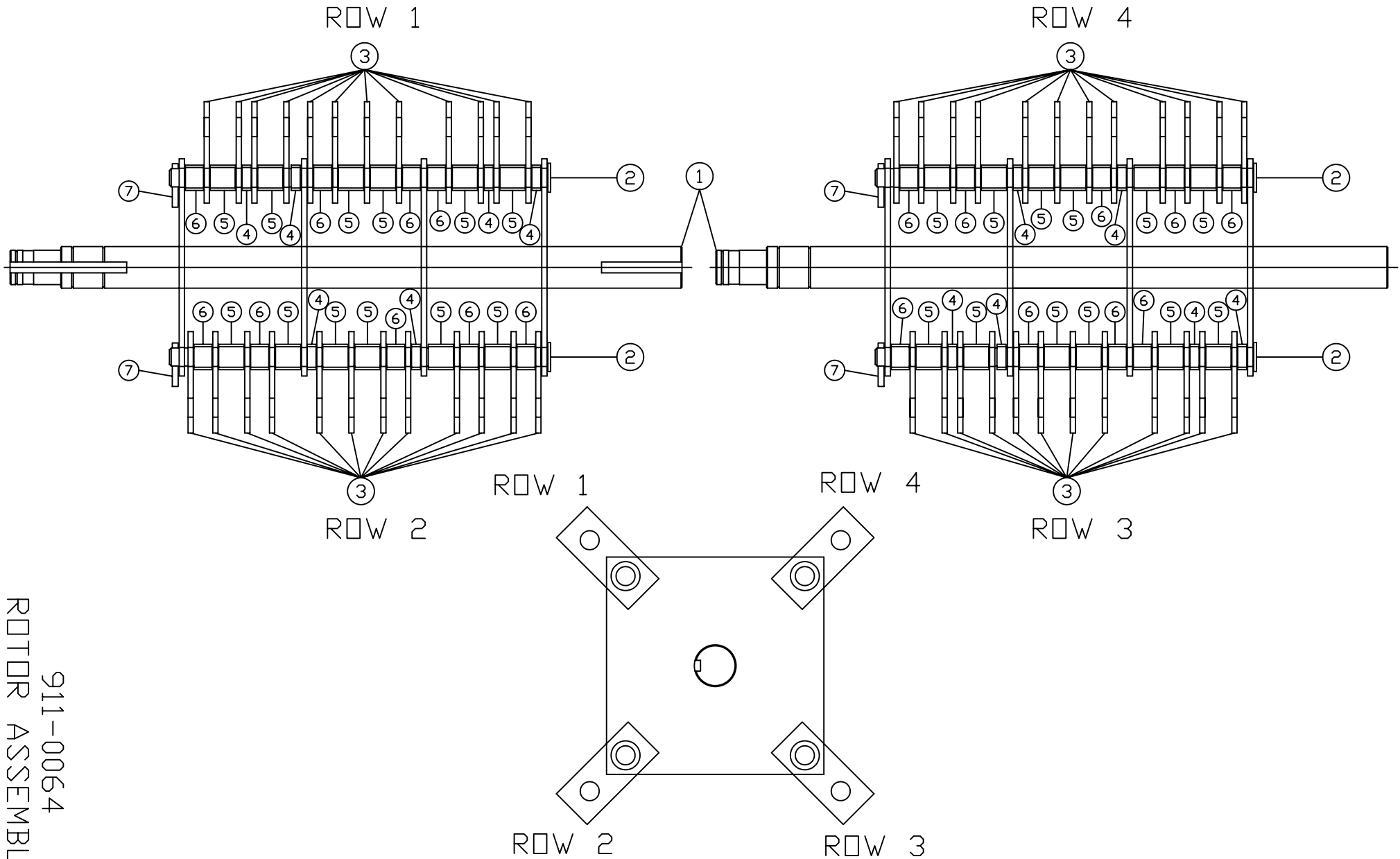
40	900-0040	1	COVER PLATE
41	913-0302	1	SPRING MOUNT BRACKET
42	090-0268	1	5/16-18 X 5" EYE BOLT
43	030-0560	1	SPRING
44	030-0181	1	BELT
45	030-0180	1	3 GROOVE 3.65" SHEAVE
46	030-0167	1	1-7/16" TAPER LOCK BUSHING
47	020-0001	2	3/8-16 X 5/8" SET SCREWS
48	030-0490	1	3 GROOVE 14" SHEAVE
49	030-0333	1	1" SK BUSHING
50	703-0424	1	1/4 X 1/4 X 2" KEY
51	911-0206	4	MOUNT BAR
52	911-0297	1	LOWER SHAFT
53	030-0055	2	1" BEARING
54	090-0113	2	3/8-16 X 1-3/4" HHCS
55	911-0298	1	IDLER ARM
56	900-0092	2	SPACER
57	090-0461	2	3/8-16 NYLOCK NUT
58	909-0016	1	IDLER SHEAVE
59	911-0054	1	SCREEN
60	911-0033	1	BAFFLE
61	911-0036	2	BAFFLE ROD
62	911-0050	2	3/8-16 X 15" HHCS
63	090-0061	1	1/2-20 X 1-1/4" HHCS

# 911-0150 BASIC ASSEMBLY



911-0150  
BASIC ASSEMBLY

911-0064 ROTOR ASSEMBLY



911-0064  
ROTOR ASSEMBLY

### 911-0150 BASIC MACHINE

ITEM #	PART #	QTY.	DESCRIPTION
1	911-0064	1	ROTOR ASSY W/HAMMERS
2	911-0152	1	CHIPPER SIDE PLATE WLDMNT
3	911-0268	1	CHIPPER CHUTE PLATE WELDMNT
4	913-0326	1	WEAR PLATE
5	030-0279	1	1 3/16" 2 BOLT BEARING
6	911-0151	1	DRIVE SIDE PLATE
7	030-0166	1	4 BOLT BEARING 1 7/16" BORE
8	911-0003	1	SCROLL WELDMNT
9	911-0026	1	TOP PLATE
10	911-0267	1	CHIPPER DISK – COMPLETE WITH KNIFE
11	913-0260	1	KNIFE KIT – COMPLETE WITH HARDWARE AND LOCTITE
12	030-0167	1	1610 x 1 7/16" ID TAPER LOCK BUSHING
13	090-0162	4	#10-32 X 3/8 SELF TAPPING SCREW
14	030-0117	1	RETAINING RING - 1 3/16"
15	030-0171	2	1 7/16" RETAINING RING
16	090-0024	1	1.565 OD X 1.192 ID X .050 THK
17	090-0233	2	5/16"USS FLATWASHER PLTD
18	090-0111	2	3/8-16 X 1-1/4 HHCS
19	090-0016	7	3/8-16 X 1 1/2 HHCS GR5 - BLACK
20	090-0049	12	3/8-16 GRIPCO LOCKNUT GR B PLT
21	090-0245	3	1/4 SAE FLATWASHER - BLACK
22	090-0257	3	1/4-20 X 1" SOCKET FLAT HD CAP
23	090-0470	3	1/4-20 NYLOK LOCKNUT PLTD
24	090-0463	4	1/2-13 X 1 1/2 HHCS GR5 - BLACK
25	090-0351	4	1/2 SPLIT LOCKWASHER PLTD
26	090-0050	4	1/2-13 GRIPCO LOCKNUT GR B PLT
27	090-0413	3	5/16-18 X 1" FLAT HD SOCKET CAP
28	090-0066	4	5/16-18 X 3/4 HHCS GR 5 PLTD
29	090-0048	4	5/16-18 GRIPCO NUT
30	911-0050	3	3/8-16 X 15"LG HHCS PLTD (TIE ROD)
31	913-0210	1	ACCESS COVER

### 911-0064 ROTOR ASSEMBLY

ITEM #	PART #	QTY.	DESCRIPTION
1	911-0135	1	ROTOR WELDMNT
2	900-0100-4	4	HAMMER ROD
3	500-0008	48	HAMMER
4	500-0010	12	SPACER-5/16"
5	500-0011	24	SPACER-7/8"
6	500-0012	18	SPACER-5/8"
7	030-0153	4	13/64" DIA X 1 1/2" LG DRIVE PIN