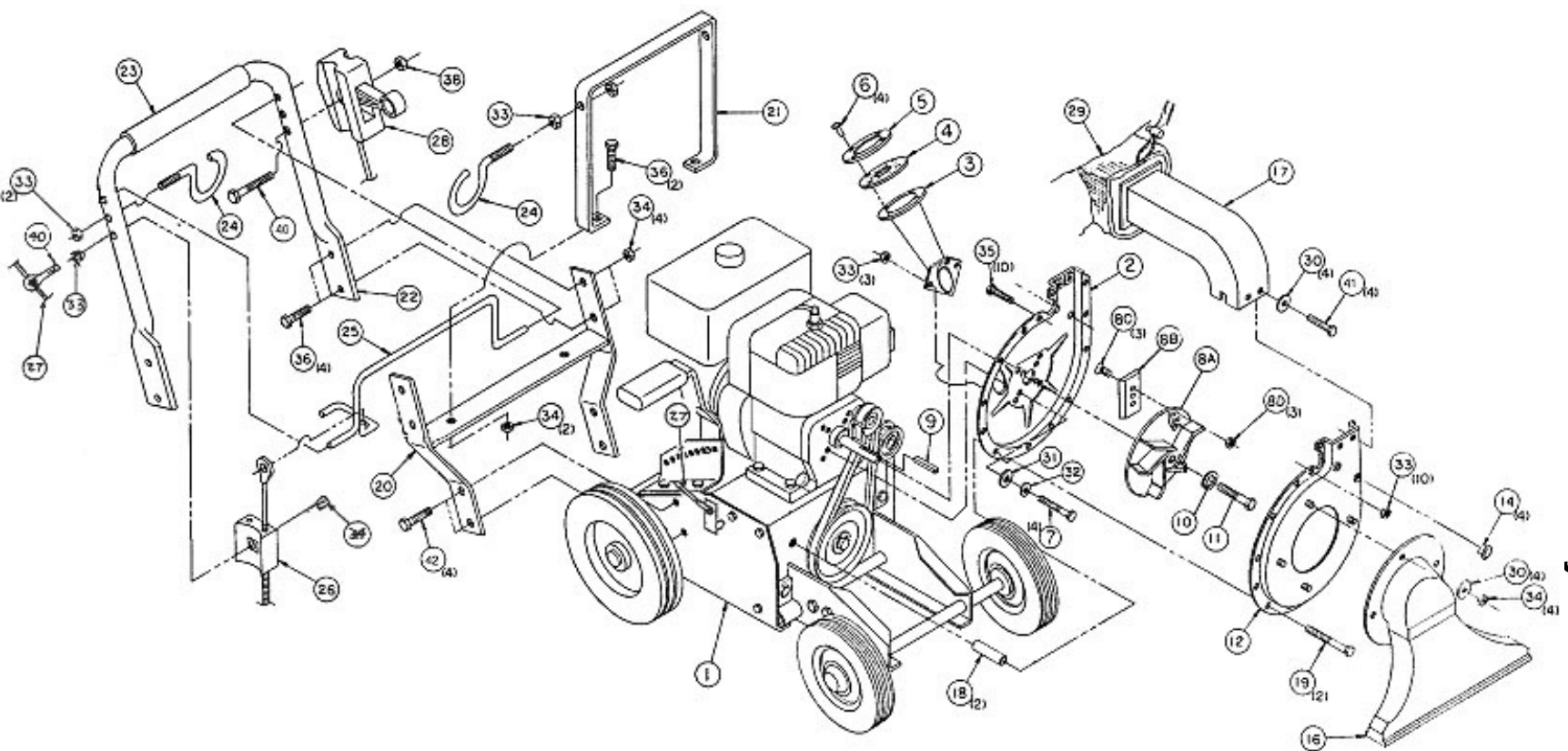

VCB Parts List & Assembly Diagrams

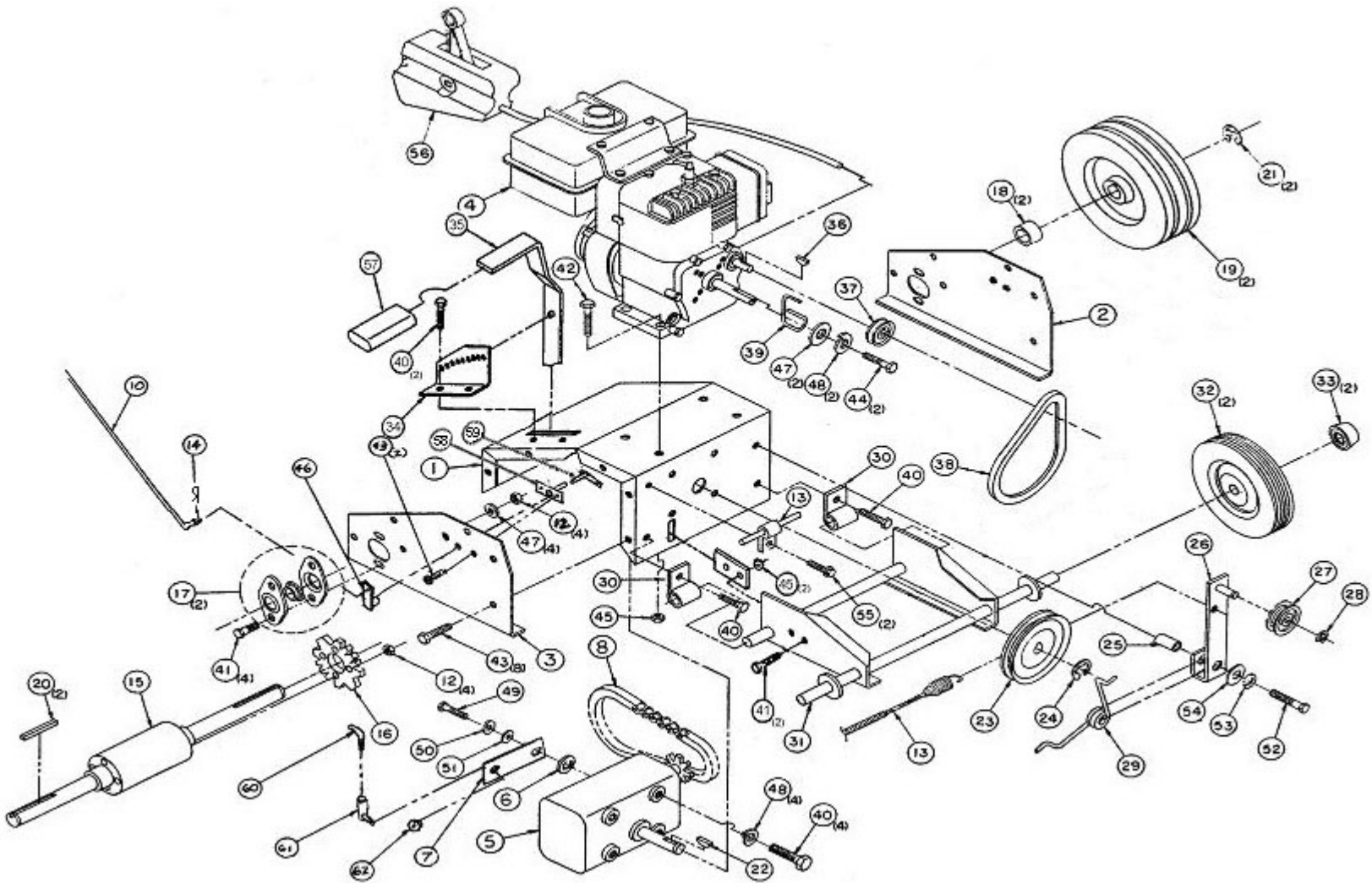
VCB Main Assembly



VCB Main Assembly Parts List

Item No.	Part No.	Description	Qty.
1	805-0149	Drive Train Assembly	1
2	805-0239	Housing Weldment- Engine side	1
3	805-0216	Chipper Tube Weldment	1
4	804-0033	Chipper Chute Cover	1
5	804-0031	Tube Flange – Chipper	1
5	704-9000	Chipper Tube Cover (EXK Only)	1
6	090-0512	3/16 x 13/32 lg Rivet	4
7	090-0505	5/16-24 x 2-1/4" HHCS, GR5, Pltd	3
***	805-0305	Complete Impeller Kit (Includes 8A,B,C,D)	
8A	805-0145	Shredder Plate Weldment	1
8B	030-0498	Chipper Knife	1
8C	090-0413	5/16-18 x 1" Flat Hd. Soc. Cap Screw	3
8D	090-0460	5/16-18 Nylon insert locknut Pltd	3
9	703-0424	1/4" x 1/4" x 2" Key	1
10	090-0228	3/8" Med. Split Lockwasher Pltd	1
11	090-0538	3/8-24 x 2-1/2" HHCS GR8, Blk.	1
12	804-0005	Inlet Housing	1
14	805-0144	Cap Plugs	4
16	805-0139	Vacuum Inlet Snout Assembly	1
17	805-0131	Discharge Chute with Baffle	1
18	805-0303	Lower Housing Mounting Spacer	2
19	090-0381	5/16-18 x 5-1/2" HHCS	2
20	805-0114	Lower Handle Weldment	1
21	805-0339	Bag Hanger Side	2
21	805-0340	Bag Hanger Top	1
22	805-0098	Upper Handle	1
23	705-0002	Handle Grip	1
24	805-0119	Bag Hanger Eyebolt	5
25	805-0035	Bail Weldment	1
26	805-0101	Clutch Cable Assembly	1
27	805-0153-1	Shift Rod	1
28	030-0385	Throttle Control	1
29	805-0014	Collection Bag	1
30	090-0502	5/16 Fender Washer, Pltd	8
31	090-0233	5/16" USS Flatwasher, Pltd.	4
32	090-0394	5/16" Med. Split Lockwasher, Pltd.	4
33	090-0418	5/16-18 Whiz Locknut, Pltd.	18
34	090-0460	5/16-18 Nylon insert locknut Pltd.	16
35	090-0067	5/16-18 x 5/8" HHCS, GR5, Pltd.	14
36	090-0088	5/16-18 x 1 HHCS, GR5, Pltd.	6
38	090-0470	1/4-20 Nylok Locknut, Pltd.	1
39	090-0013	1/4-20 x 1 3/4" Rd. Hd. Mach. Screw	1
40	090-0268	5/16-18 x 5" Eyebolt	2
41	090-0066	5/16-18 x 3/4" HHCS	4
42	090-0405	1/4-20 x 2-1/4" HHCS	1
43	090-0503	5/16-18 x 3/4 Self Tapping Screw	4
--	805-0326	Carabineer	2

VCB Drive Train Assembly

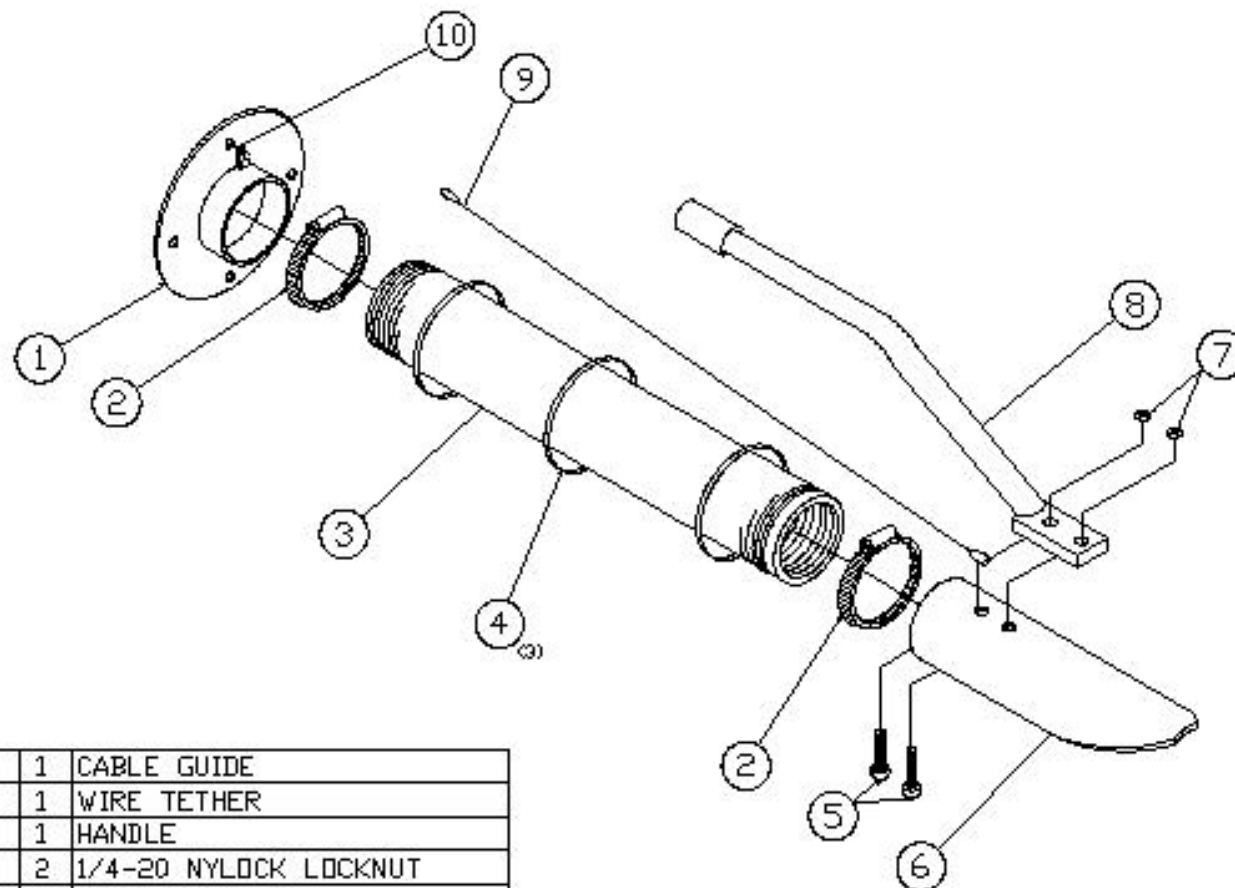


VCB Drive Train Assembly

Item No.	Part No.	Description	Qty.
1	805-0302	Engine Base Weldment	1
2	805-0102	Left Side Weldment	1
3	805-0171	Right Side Weldment	1
4	030-0585	B&S Engine	1
5	805-0003	Transmission	1
6	805-0065	Shift Lever Washer	1
7	805-0154	Transmission Arm	1
8	805-0061	#40 Chain .5 Pitch x 24" LG	1
10	805-0153-1	Shift Rod	1
12	090-0460	5/16-18 Nylock Nut	4
13	805-0101	Clutch Cable Assembly	1
14	100-0015	Hair Spring Cotter Pin	1
15	805-0042	Differential	1
16	805-0046	Sprocket	1
17	030-0174	3/4" Bearing - 2 Hole Flange	2
18	805-0052	Wheel Spacer	2
19	805-0006	Pneumatic Wheel (4.10/3.50-4)	2
20	703-0505	3/16" x 3/16" x 1-1/2" Shaft Key	2
21	090-0495	3/4" Dia. E-Ring Pltd	2
22	090-0493	#606 Woodruff Key (3/16" x 3/4")	1
23	030-0175	Transmission Pulley	1
24	090-0494	5/8" Dia. E-Ring Pltd	1
25	805-0023	Spacer Tube	1
26	805-0217	Idler Arm Weldment	1
27	030-0191	Idler Pulley	1
28	090-0497	3/8" Dia. E-Ring Pltd	1
29	030-0401	Torsion Spring	1
30	805-0111	Pivot Mount	2
31	805-0255	Wheel Frame	1
32	701-0052	8 x 1.75 Wheel	2
33	090-0457	Push Nut Cap	2
34	805-0250	Height Adjuster Plate	1
35	805-0252	Height Adjuster Plate	1
36	090-0496	#405 Woodruff Key (1/8" x 5/8")	1
37	030-0176	Engine Pulley with set screw	1
38	030-0178	V-Belt (3H360)	1
39	805-0219	Belt Guide	1
40	090-0066	5/16-18 x 3/4" HHCS GR 5 Pltd.	6
41	090-0088	5/16-18 x 1" HHCS GR 5 Pltd.	6
42	090-0089	5/16-18 x 1-1/4" HHCS GR 5 Pltd.	4
43	090-0503	5/16-18 x 3/4" Self-Tapping Screw	15
44	090-0408	5/16-24 x 3/4" HHCS GR 5 Pltd	2
45	090-0460	5/16-18 Nylon insert locknut Pltd.	3
46	805-0317	Long Shift Arm	1
47	090-0233	5/16" USS Flatwasher Pltd.	6
48	090-0394	5/16" Med. Split Lockwasher Pltd.	6
49	090-0427	1/4-28 x 3/4" HHCS GR 5 Pltd.	1
50	090-0378	1/4" Med. Split Lockwasher Pltd.	1
51	090-0232	1/4" USS Flatwasher Pltd.	1
52	090-0113	3/8-16 x 1 3/4" HHCS GR 5 Pltd.	1
53	090-0228	3/8" Med. Split Lockwasher Pltd.	1
54	090-0234	3/8" Flatwasher Pltd.	1
55	090-0504	#10-24 x 1/2" LG Hex Washer Head	2
56	030-0385	Throttle Control	1
57	500-0045	Height Adjuster Grip	1
58	805-0163	Shift Mount	1
59	805-0160	Inner Shift Arm	1
60	805-0182	Linkage Arm	1
61	090-0264	1/4"-28 Rod End	2
62	090-0265	1/4"-28 Hex Nut	2
---	090-0517	Shim - Rear Axle	2
---	805-0121	Bottom Cover	1

PROPRIETARY

805-0129



OPTIONAL VAC KIT

10	706-2243	1	CABLE GUIDE
9	704-0197	1	WIRE TETHER
8	804-0078	1	HANDLE
7	090-0470	2	1/4-20 NYLOCK LOCKNUT
6	704-0117	1	PICK-UP SNOUT
5	090-0179	2	1/4-20x3/4" RD HD MACH SCW
4	900-0074A	3	32' CABLE TIE
3	32027	1	6" DIA HOSE x 8'
2	32412	2	6-1/8" HOSE CLAMP
1	704-0165	1	VAC ADAPTER
NO.	PART #	QTY	DESCRIPTION

MacKISSIC, Inc. Parker Ford, PA			
.VACUUM_KIT			
1/28	20	1/4	02/01/03
3"		c	805-0129