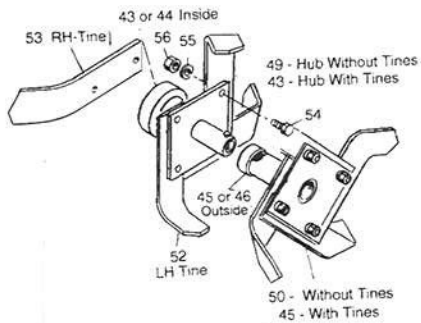
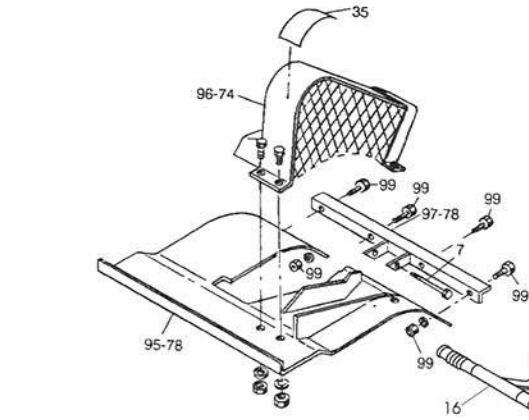
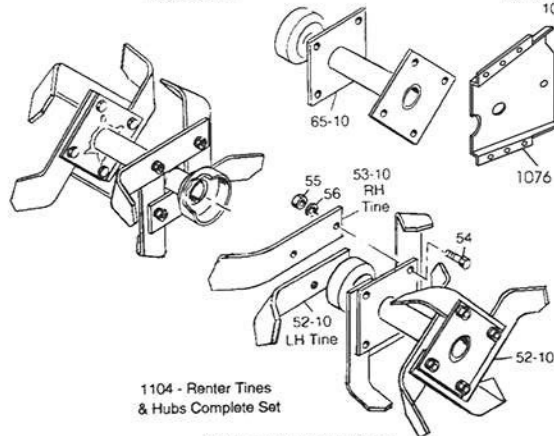


TILLER HOOD ASSEMBLY



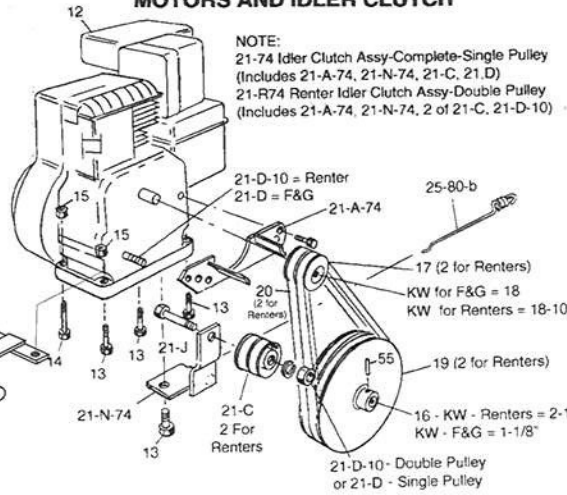
1101 - F&G Scythe Tines with Divisible Hubs Complete Set



1104 - Renter Tines & Hubs Complete Set

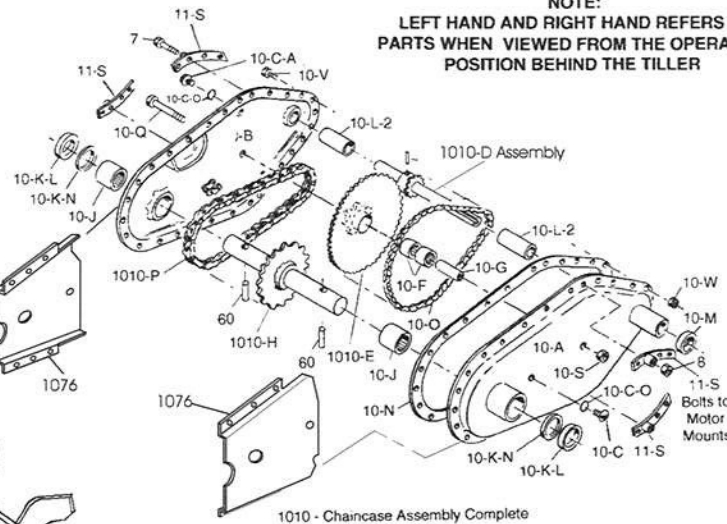
TINES AND HUBS

MOTORS AND IDLER CLUTCH



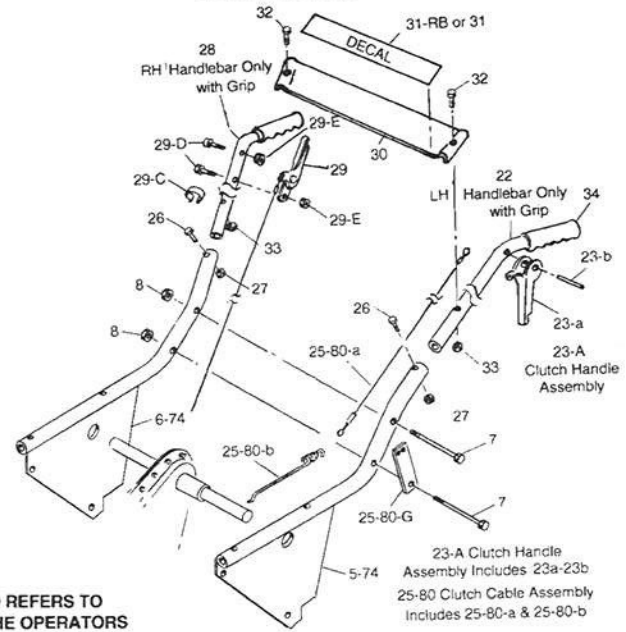
NOTE:
21-74 Idler Clutch Assy-Complete-Single Pulley (Includes 21-A-74, 21-N-74, 21-C, 21-D)
21-R74 Renter Idler Clutch Assy-Double Pulley (Includes 21-A-74, 21-N-74, 2 of 21-C, 21-D-10)

NOTE:
LEFT HAND AND RIGHT HAND REFERS TO PARTS WHEN VIEWED FROM THE OPERATORS POSITION BEHIND THE TILLER

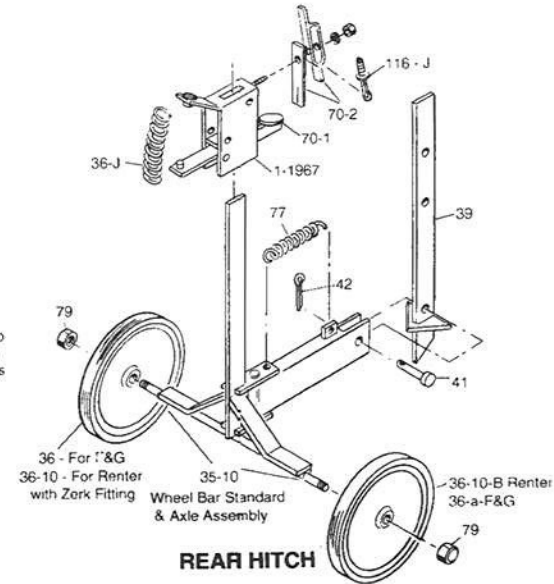


CHAINCASE

HANDLEBARS



23-A Clutch Handle Assembly Includes 23a-23b
25-80 Clutch Cable Assembly Includes 25-80-a & 25-80-b



REAR HITCH

YARD MARVEL MANUFACTURING COMPANY, INC.
F&G and RENTER TILLERS